



ZDF2、ZDF3 HYPOID GEAR MOTOR

ZDF2、ZDF3准双曲面齿轮减速电机



中大 实现自动化应用的无限可能

Zhongda Realizes the infinite possible in automation application

宁波中大力德智能传动股份有限公司始创于1998年，是一家专业制造电机驱动、微特电机、精密减速机的中外合资企业。公司现有员工800人，固定资产2亿元，占地面积100亩（其中杭州湾50亩）。

公司系国家级高新技术企业，浙江省级企业研发中心，获国家专利81项，参与制定国标4项，行标3项；其中以第一起草单位制定国标1项，行标1项；“永磁无刷电机行星齿轮减速机构”列入国家火炬计划，“VRSF-78VR20-200行星减速器”列入国家重点新产品计划，获中国科技部颁发“国家重点新产品证书”。

Ningbo Zhongda Leader Intelligent Transmission Co., Ltd. is a sino-foreign joint venture. specialized in micro motors, motor drivers and precision gear reducers. We have 800 employees, with two hundred million RMB of fixed assets and area of 66666m² (half in Hangzhou Wan).

We, ZD-MOTOR, is a national hi-tech enterprise, and provincial R&D center of Zhejiang, we own 81 national patents, we participated in drafting 4 national standard, 3 industry standards. As major party to draft 1 national and 1 industry standard. “gear reduced permanent brushless motor institution” is listed in National Torch Plan, “VRSF-78VR20-200 planetary gear reducer” is listed in national new major product plan, and gain the certification of “National New Major product” issued by China's Ministry of Science & Technology.

采用了偏轴伞齿轮的高强度、高转矩电动机 High strength and high torque motor with eccentric shaft bevel gear

※偏轴伞齿轮仅限于直交轴减速电动机。The eccentric shaft bevel gear is limited to right-angle gear motor

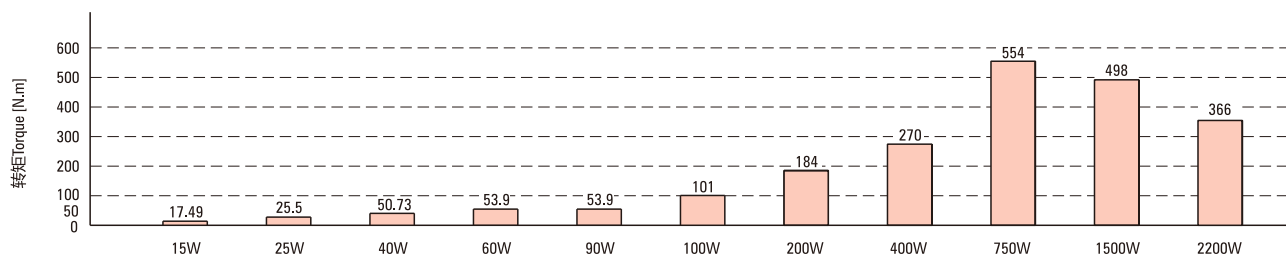
高功率电动机结合高强度偏轴伞齿轮减速机的产品。高转矩的减速电动机可以满足顾客所需的广泛用途。

High power motor combined with high strength eccentric shaft bevel gear reducer product. High torque reduction motor can meet the needs of customers for a wide range of purposes.

容许转矩 Allowable Torque

以下图表为各功率的减速机电动机所能发挥的最大容许转矩。The following chart shows the maximum allowable torque the gear motor can output.

● 直交轴 Right-angle shaft

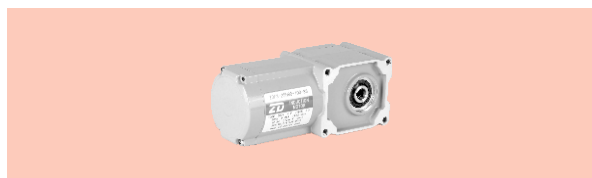


丰富的减速比产品阵容 Rich range of gearmotors and ratios

减速比从5~240，共有17种种类丰富且划分精细的机型。可根据用途，从直交轴（中空轴、中实轴）的各输出轴中选择最适合的产品。

Reduction ratio from 5~240, a total of 17 types of rich and finely divided models. According to the utility, the most suitable product is selected from each output shaft of the parallel axis, the direct cross shaft (the hollow shaft and the middle solid shaft).

● 直交轴（中空轴） Right-angle shaft(hollow shaft)

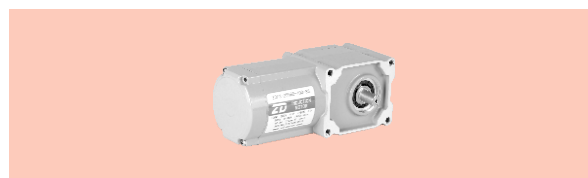


F2减速比共有14种类

There are 14 types of reduction ratio

10、15、20、25、30、40、50、60、80、100、120、160、200、240

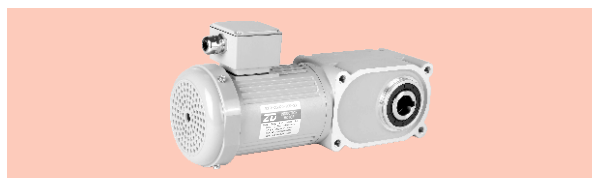
● 直交轴（中实轴） Right-angle shaft(solid shaft)



F2减速比共有14种类

There are 14 types of reduction ratio

10、15、20、25、30、40、50、60、80、100、120、160、200、240



F3减速比共有17种类

There are 17 types of reduction ratio

5、7.5、10、12、15、20、25、30、40、50、60、80、100、120、160、200、240



F3减速比共有17种类

There are 17 types of reduction ratio

5、7.5、10、12、15、20、25、30、40、50、60、80、100、120、160、200、240

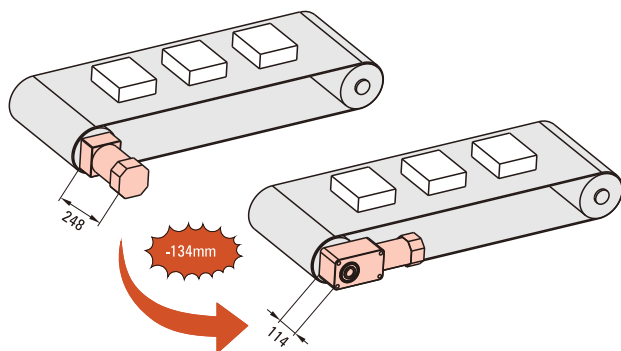
实现装置小型化，节约开发成本 To achieve miniaturization, saving development costs

(直交轴减速电动机) (Right angle speed reducer motor)

■ 最适于节省空间 The Most Suitable To Save Space

负载轴与电动机部分成直角，故可节省作业空间。

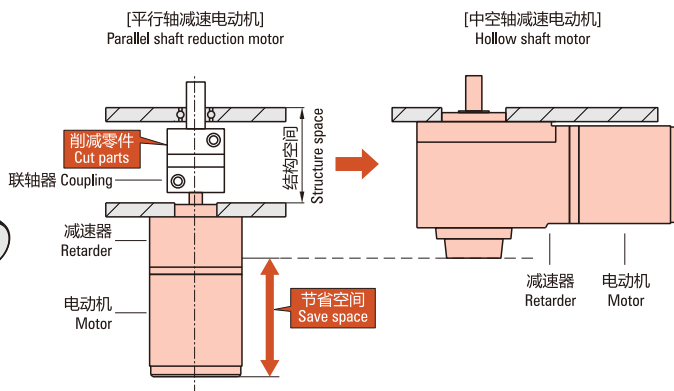
The load shaft and the electric motor are at right angles, so the working space can be saved.



■ 节约成本 Cost Savings

中空轴减速电动机还简化了连接零件，从而可减少零件成本和组装工时。

The hollow shaft reduction motor also simplifies the connecting parts, thereby reducing the cost of parts and assembling working hours.



图为输出功率200W，减速比5的平行轴减速电动机与直交轴减速电动机的比较。

The figure is the comparison of the output power 200W, the reduction ratio of 5 parallel shaft motor and the speed reduction motor.

适合用于与变频器组合使用

Suitable for use in combination with frequency converter

可实现低速至高速的广泛速度控制。而且速度受负载影响较小，速度控制更加稳定。

Can achieve low speed to high speed of the extensive speed control. And the speed is less affected by the load, the speed control is more stable.

安装自由度高的设计 High degree of freedom of the design

(直交轴减速电动机) (Direct axis speed reducer motor)

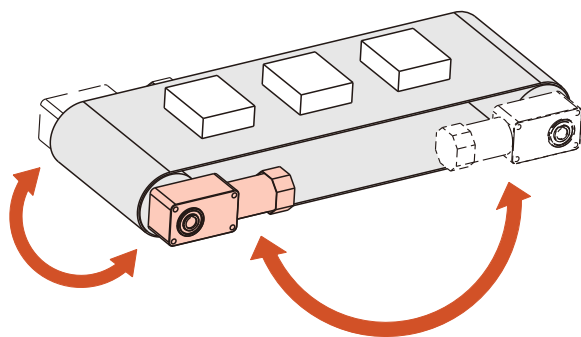
■ 左右同心轴构造 Left And Right Concentric Axis Structure

减速机的输出轴位于安装面上下方向的中心处的构造。

安装在输送机等装置的时候，不管安装方向是向左还是向右，都不需要改变安装孔的位置。

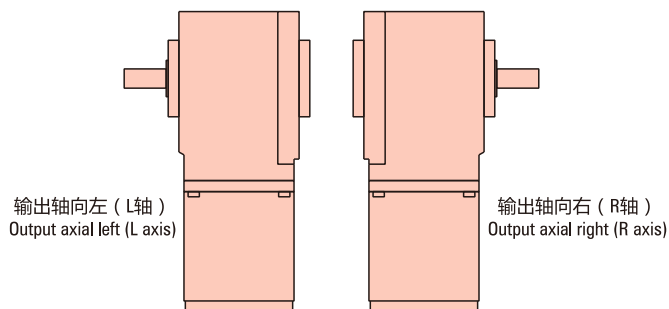
The output shaft of the speed reducer is arranged at the center of the upper and the lower direction of the mounting surface.

When installed in the conveyor and other devices, whether the installation direction is to the left or right, do not need to change the location of the installation hole.



中空轴减速电动机还简化了连接零件，从而可减少零件成本和组装工时。

The hollow shaft reduction motor also simplifies the connecting parts, thereby reducing the cost of parts and assembling working hours.



输出轴向左 (L轴)
Output axial left (L axis)

输出轴向右 (R轴)
Output axial right (R axis)

品名的阅读方法 MODEL NO. CODING

电动机 Motor

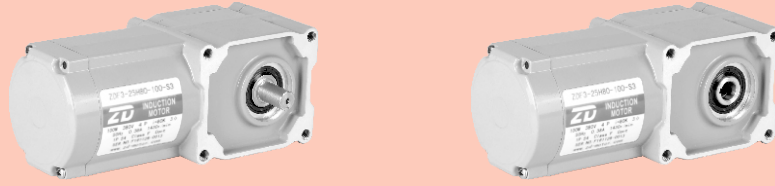
ZDF3 - 25 H 30 L S - 100 - S B

① ② ③ ④ ⑤ ⑥ ⑦ ⑧ ⑨

①	系列 Series	ZDF2: F2系列 ZDF3: F3系列 ZDF2: F2 Series ZDF3: F3 Series
②	出轴直径或孔径	Shaft diameter or bore diameter
③	出轴类型 (实心轴见附图)	The shaft type (Solid shaft attached)
	H: 空心轴 A: 实心轴	H: Hollow shaft A: Solid shaft
④	减速比 Reduction ratio	30:1
⑤	L: 左出轴 R: 右出轴 T: 双出轴 (中空轴省略)	L: Left axis R: Right out axis T: Double output shaft (Hollow shaft omitted)
⑥	缩框型箱体 (标准型省略)	Shrink box type box (Standard type omitted)
⑦	额定输出功率 Rated output power	100:100W
⑧	F2电源 Power supply	C (单相 Single-phase 220V50/60Hz)
		H (单相 Single-phase 220V/60Hz)
		A (单相 Single-phase 110V50/60Hz)
		E (单相 Single-phase 110V/60Hz)
	F3电源 Power supply	S (3PH-220V50/60Hz)
		S3 (3PH-380V50/60Hz)
		U (3PH-220/380V50/60Hz)
		S (3PH-220V50/60Hz)
⑨	附加装置 Attachment unit	B: 刹车 FF: 强制风扇 F: 风扇 T: 接线盒 P: 热保护器
		B: Brake FF: Axial flow fan F: Fan T: Connection box P: Thermal protector

注：⑧中F、T只针对ZDF2产品，ZDF3默认自带风扇，接线盒。
Note: Line ⑧ is only refer to ZDF2 series, ZDF3 is pre installed with fan and terminal box.

ZDF2尺寸图 ZDF2 SIZE CHART



规格 · 连续额定 Specification And Continuous Rating

型号 Model	输出功率 Output Power	电压 Voltage	频率 Frequency	额定电流 Rated Current	额定转矩 Rated Torque	额定转速 Rated Speed	堵转转矩 Locked Rotor Torque	堵转电流 Locked Rotor Current	绝缘等级 Insulation Grade
	W	V	Hz	A	N.m	r/min	N.m	A	
ZDF2-12H□-15-S(TB)	15	200	60	0.12	0.09	1550	0.16	0.30	F
		220	50	0.13	0.11	1350	0.26	0.35	
ZDF2-12H□-15-S3(TB)		380	50	0.08	0.11	1350	0.26	0.20	
		460	60	0.08	0.09	1680	0.30	0.22	

型号 Model	输出功率 Output Power	电压 Voltage	频率 Frequency	额定电流 Rated Current	额定转矩 Rated Torque	额定转速 Rated Speed	堵转转矩 Locked Rotor Torque	堵转电流 Locked Rotor Current	电容器 Capacitor	绝缘等级 Insulation Grade
	W	V	Hz	A	N.m	r/min	N.m	A	UF	
ZDF2-15A□-15-C(TB)	15	220	60	0.15	0.09	1680	0.08	0.33	1.20	F
		220	50	0.15	0.10	1380	0.08	0.35		
ZDF2-15A□-15-A(TB)		110	50	0.30	0.10	1380	0.08	0.68	5.00	
		110	60	0.34	0.09	1680	0.08	0.65		

功率 Power	孔径/轴径 Aperture/Axis Diameter	减速比 Reduction Ratio	输出轴转速 Output Shaft Speed	输出轴容许转矩 Output Shaft Torque		输出轴容许 Output Shaft Tolerance		输出轴容许 Output Shaft Tolerance	
			r/min	N.m	kgf.m	N	kgf	轴向力负载 Axial Force Load	
			50Hz	50Hz	50Hz			N	kgf
15	12/15	10	150	0.810	0.08	343	35	88	9
		15	100	1.210	0.12	441	45	108	11
		20	75.0	1.620	0.16	539	55	137	14
		25	60.0	2.020	0.20	588	60	147	15
		30	50.0	2.430	0.24	686	70	177	18
		40	37.5	3.240	0.33	784	80	196	20
		50	30.0	4.050	0.41	882	90	226	23
		60	25.0	4.860	0.49	882	90	226	23
		80	18.8	5.830	0.59	980	100	245	25
		100	15.0	7.290	0.74	980	100	245	25
		120	12.5	8.740	0.89	1080	110	275	28
		160	9.40	11.66	1.18	1080	110	275	28
		200	7.50	14.58	1.48	1080	110	275	28
240	6.30	17.49	1.78	1080	110	275	28		

ZDF2尺寸图 ZDF2 SIZE CHART

规格 · 连续额定 Specification And Continuous Rating

型号 Model	输出功率 Output Power	电压 Voltage	频率 Frequency	额定电流 Rated Current	额定转矩 Rated Torque	额定转速 Rated Speed	堵转转矩 Locked Rotor Torque	堵转电流 Locked Rotor Current	绝缘等级 Insulation Grade
	W	V	Hz	A	N.m	r/min	N.m	A	
ZDF2-12H□-25-S(TB)	25	200	60	0.17	0.16	1450	0.22	0.36	F
		220	50	0.18	0.18	1300	0.34	0.43	
ZDF2-12H□-25-S3(TB)		380	50	0.11	0.18	1300	0.34	0.24	
		460	60	0.10	0.15	1650	0.36	0.27	

型号 Model	输出功率 Output Power	电压 Voltage	频率 Frequency	额定电流 Rated Current	额定转矩 Rated Torque	额定转速 Rated Speed	堵转转矩 Locked Rotor Torque	堵转电流 Locked Rotor Current	电容器 Capacitor	绝缘等级 Insulation Grade
	W	V	Hz	A	N.m	r/min	N.m	A	UF	
ZDF2-15A□-25-C(TB)	25	220	60	0.21	0.15	1620	0.09	0.46	1.50	F
		220	50	0.26	0.18	1320	0.09	0.52		
ZDF2-15A□-25-A(TB)		110	50	0.48	0.18	1320	0.09	0.93	6.00	
		110	60	0.43	0.15	1620	0.09	0.83		

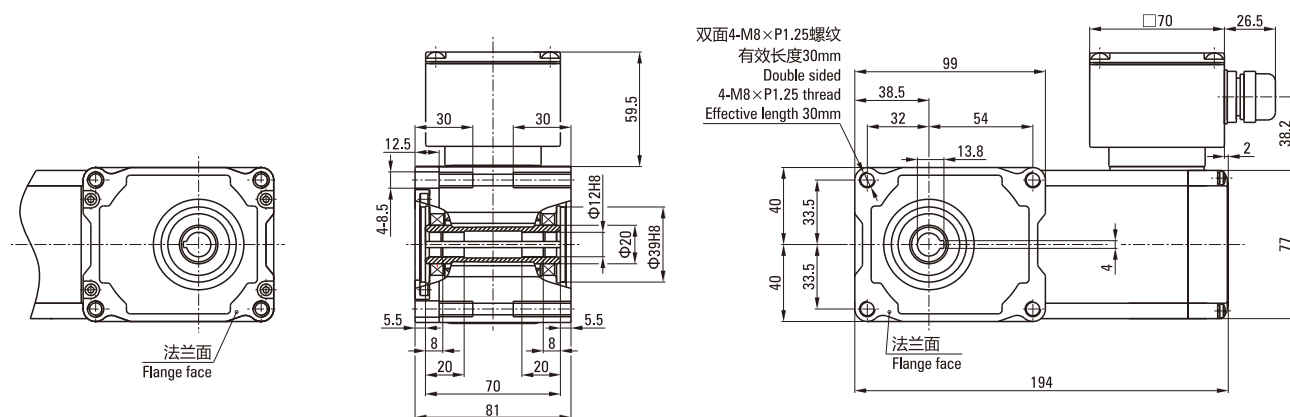
功率 Power	孔径/轴径 Aperture/Axis Diameter	减速比 ReductionRatio	输出轴转速 Output Shaft Speed	输出轴容许转矩 Output Shaft Torque		输出轴容许 Output Shaft Tolerance		输出轴容许 Output Shaft Tolerance	
			r/min	N.m	kgf.m	N	kgf	N	kgf
W	mm	i	50Hz	50Hz	50Hz	N	kgf	N	kgf
25	12/15	10	150	1.450	0.14	343	35	88	9
		15	100	2.180	0.22	441	45	108	11
		20	75.0	2.910	0.29	539	55	137	14
		25	60.0	3.640	0.37	588	60	147	15
		30	50.0	4.370	0.44	686	70	177	18
		40	37.5	5.830	0.59	784	80	196	20
		50	30.0	7.290	0.74	882	90	226	23
		60	25.0	8.740	0.89	882	90	226	23
		80	18.8	10.49	1.07	980	100	245	25
		100	15.0	13.12	1.33	980	100	245	25
		120	12.5	15.74	1.60	1080	110	275	28
		160	9.40	20.99	2.14	1080	110	275	28
		※200	7.50	25.50	2.60	1080	110	275	28
※240	6.30	25.50	2.60	1080	110	275	28		

注：带※号的为转矩力限制机种，使用时请阅读本表。 Note: The number for the torque limit model, please read this table.

外形图 OUTLINE DRAWING

ZDF2-12H10~240-15~25-C(T)
ZDF2-12H10~240-15~25-S(T)

ZDF2-12H10~240-15~25-A(T)
ZDF2-12H10~240-15~25-S3(T)

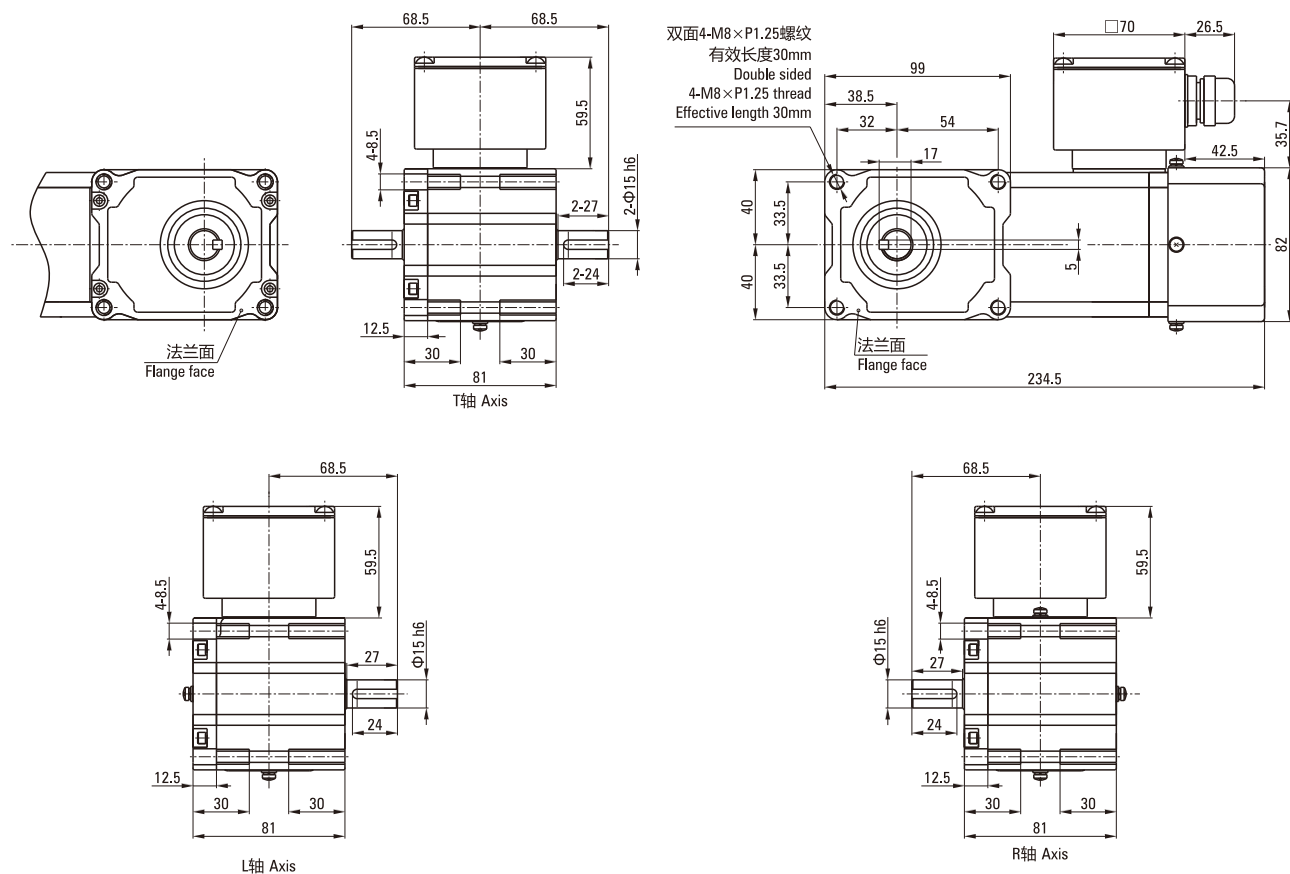


注：常规产品不带接线盒 Note: Conventional products without wiring box

ZDF2-15A10_R~240_R-15~25-C(TB)
ZDF2-15A10_R~240_R-15~25-S3(TB)

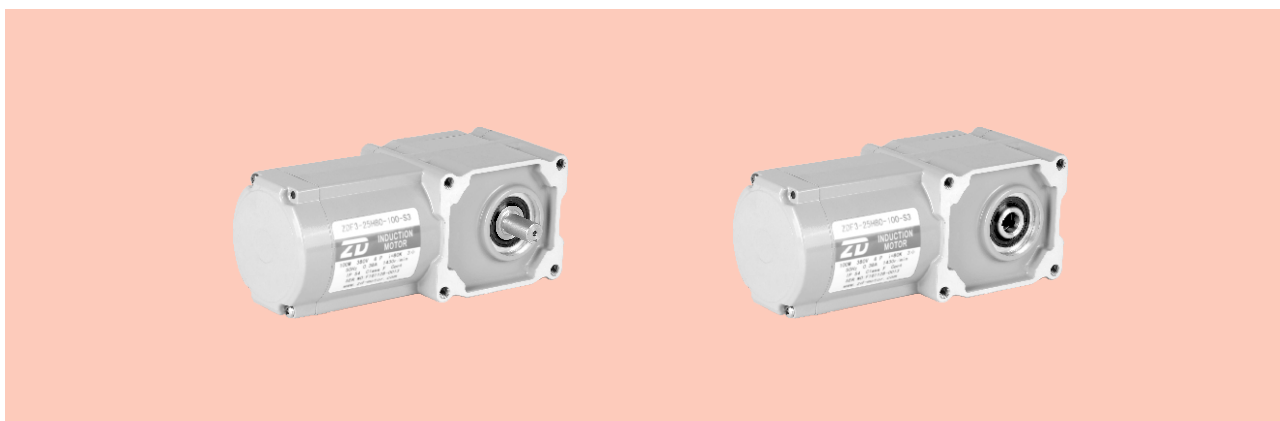
ZDF2-15A10_R~240_R-15~25-A(TB)

ZDF2-15A10_R~240_R-15~25-S(TB)



注：常规产品不带接线盒 Note: Conventional products without wiring box

ZDF2尺寸图 ZDF2 SIZE CHART



规格 · 连续额定 Specification And Continuous Rating

型号 Model	输出功率 Output Power	电压 Voltage	频率 Frequency	额定电流 Rated Current	额定转矩 Rated Torque	额定转速 Rated Speed	堵转转矩 Locked Rotor Torque	堵转电流 Locked Rotor Current	绝缘等级 Insulation Grade
	W	V	Hz	A	N.m	r/min	N.m	A	
ZDF2-15H□-40-S(TB)	40	200	60	0.27	0.25	1500	0.62	0.76	F
		220	50	0.29	0.29	1320	0.90	0.90	
ZDF2-15H□-40-S3(TB)		380	50	0.17	0.29	1320	0.90	0.56	
		460	60	0.16	0.23	1650	1.00	0.62	

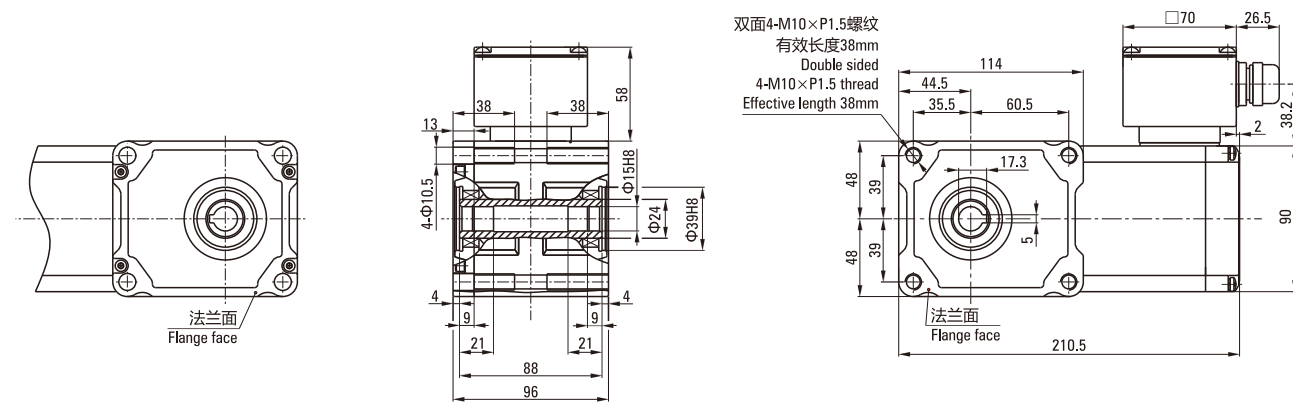
型号 Model	输出功率 Output Power	电压 Voltage	频率 Frequency	额定电流 Rated Current	额定转矩 Rated Torque	额定转速 Rated Speed	堵转转矩 Locked Rotor Torque	堵转电流 Locked Rotor Current	电容器 Capacitor	绝缘等级 Insulation Grade
	W	V	Hz	A	N.m	r/min	N.m	A	UF	
ZDF2-18A□-40-C(TB)	40	220	60	0.33	0.23	1650	0.20	0.80	2.50	F
		220	50	0.33	0.29	1350	0.20	0.85		
ZDF2-18A□-40-A(TB)		110	50	0.65	0.29	1350	0.20	1.70	10.0	
		110	60	0.65	0.23	1650	0.20	1.50		

功率 Power	孔径/轴径 Aperture/Axis Diameter	减速比 Reduction Ratio	输出轴转速 Output Shaft Speed	输出轴容许转矩 Output Shaft Torque		输出轴容许 Output Shaft Tolerance		输出轴容许 Output Shaft Tolerance	
			r/min	N.m	kgf.m	N	kgf	N	kgf
W	mm	i	50Hz	50Hz	50Hz	N	kgf	N	kgf
40	15/18	10	150	2.350	0.23	343	35	88	9
		15	100	3.520	0.35	441	45	108	11
		20	75.0	4.690	0.47	539	55	137	14
		25	60.0	5.870	0.59	588	60	147	15
		30	50.0	7.040	0.71	686	70	177	18
		40	37.5	9.390	0.95	784	80	196	20
		50	30.0	11.74	1.19	882	90	226	23
		60	25.0	14.09	1.43	882	90	226	23
		80	18.8	16.91	1.72	980	100	245	25
		100	15.0	21.14	2.15	980	100	245	25
		120	12.5	25.36	2.58	1080	110	275	28
		160	9.40	33.82	3.45	1370	140	343	35
200	7.50	42.28	4.31	1370	140	343	35		
240	6.30	50.73	5.17	1370	140	343	35		

外形图 OUTLINE DRAWING

ZDF2-15H10~240-40-C(T)
ZDF2-15H10~240-40-S(T)

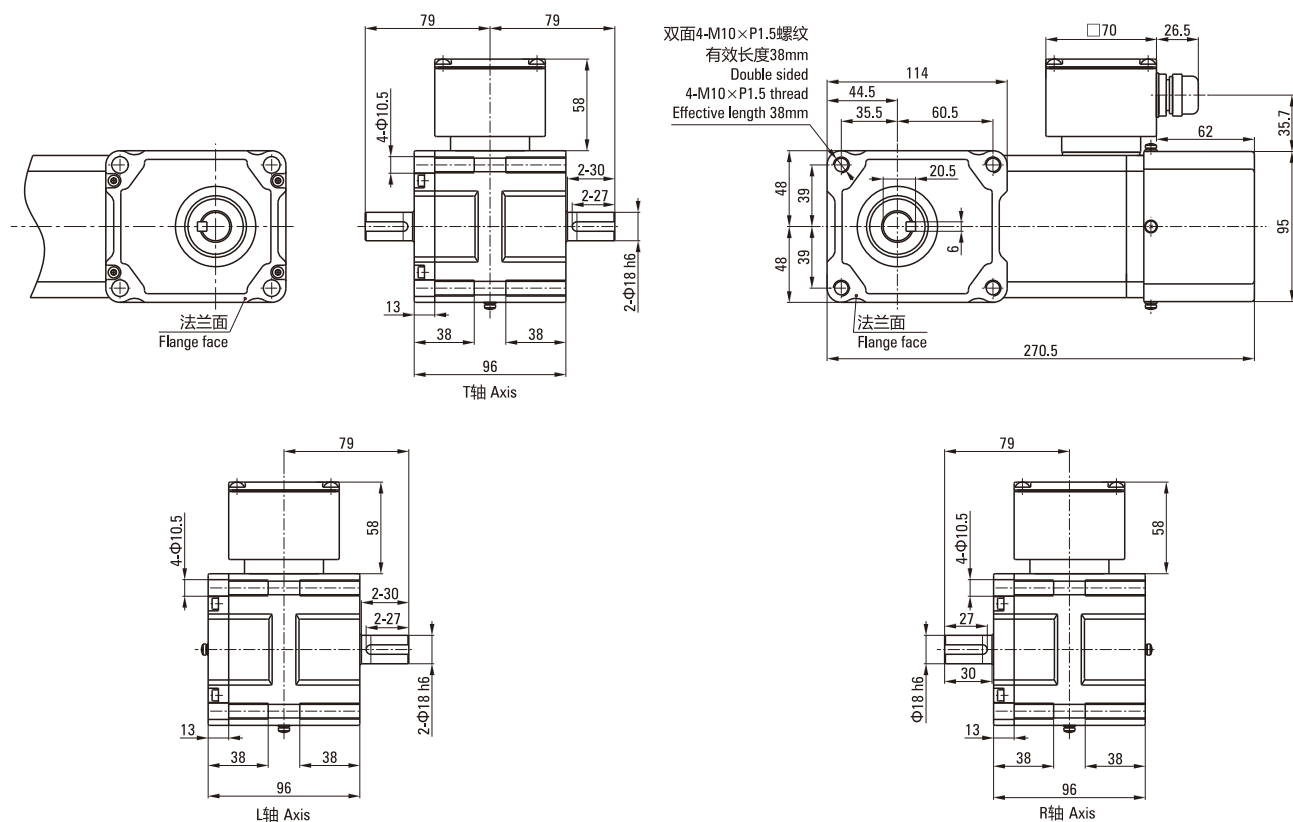
ZDF2-15H10~240-40-A(T)
ZDF2-15H10~240-40-S3(T)



注：常规产品不带接线盒 Note: Conventional products without wiring box

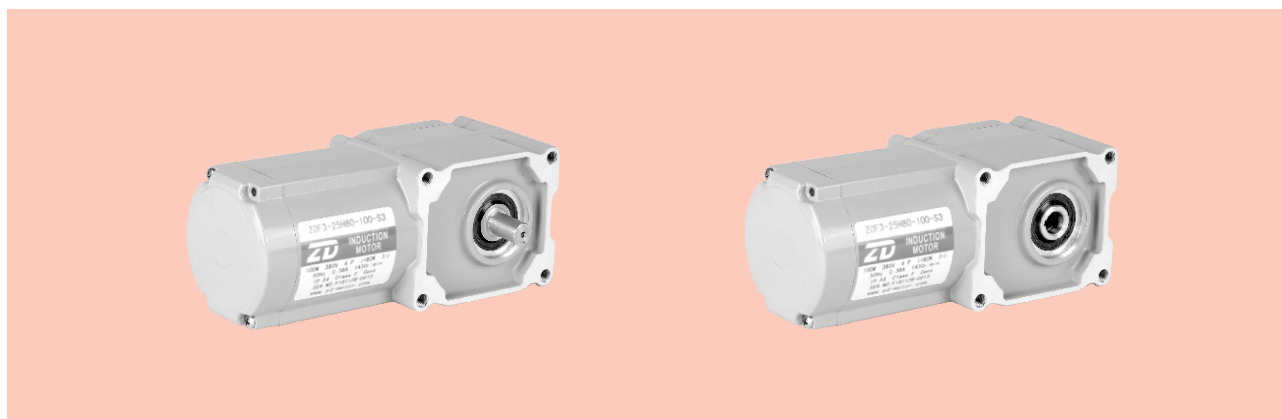
ZDF2-18A10_R~240_R-40-C(TB)
ZDF2-18A10_R~240_R-40-S(TB)

ZDF2-18A10_R~240_R-40-A(TB)
ZDF2-18A10_R~240_R-40-S3(TB)



注：常规产品不带接线盒 Note: Conventional products without wiring box

ZDF2尺寸图 ZDF2 SIZE CHART



规格 · 连续额定 Specification And Continuous Rating

型号 Model	输出功率 Output Power	电压 Voltage	频率 Frequency	额定电流 Rated Current	额定转矩 Rated Torque	额定转速 Rated Speed	堵转转矩 Locked Rotor Torque	堵转电流 Locked Rotor Current	绝缘等级 Insulation Grade
	W	V	Hz	A	N.m	r/min	N.m	A	
ZDF2-15H□-60-S(FTB)	60	200	60	0.40	0.36	1600	0.90	1.30	F
		220	50	0.50	0.44	1350	1.40	1.40	
ZDF2-15H□-60-S3(FTB)		380	50	0.28	0.44	1350	1.40	0.75	
		460	60	0.28	0.36	1600	1.50	0.85	

型号 Model	输出功率 Output Power	电压 Voltage	频率 Frequency	额定电流 Rated Current	额定转矩 Rated Torque	额定转速 Rated Speed	堵转转矩 Locked Rotor Torque	堵转电流 Locked Rotor Current	电容器 Capacitor	绝缘等级 Insulation Grade
	W	V	Hz	A	N.m	r/min	N.m	A	UF	
ZDF2-18A□-60-C(FTB)	60	220	60	0.47	0.36	1600	0.23	0.95	3.00	F
		220	50	0.49	0.44	1300	0.23	1.10		
ZDF2-18A□-60-A(FTB)		110	50	1.00	0.44	1300	0.23	2.10	12.0	
		110	60	0.90	0.36	1600	0.23	1.95		

功率 Power	孔径/轴径 Aperture/Axis Diameter	减速比 Reduction Ratio	输出轴转速 Output Shaft Speed	输出轴容许转矩 Output Shaft Torque		输出轴容许 Output Shaft Tolerance		输出轴容许 Output Shaft Tolerance	
			r/min	N.m	kgf.m	N	kgf	N	kgf
W	mm	i	50Hz	50Hz	50Hz	N	kgf	N	kgf
60	15/18	10	150	3.560	0.36	343	35	108	11
		15	100	5.340	0.54	441	45	147	15
		20	75.0	7.120	0.72	539	55	186	19
		25	60.0	8.910	0.90	588	60	226	23
		30	50.0	10.69	1.09	686	70	245	25
		40	37.5	14.25	1.45	784	80	275	28
		50	30.0	17.82	1.81	882	90	294	30
		60	25.0	21.38	2.18	882	90	294	30
		80	18.8	25.66	2.61	1270	130	324	33
		100	15.0	32.07	3.27	1270	130	324	33
		120	12.5	38.49	3.92	1370	140	343	35
		160	9.40	51.32	5.23	1370	140	343	35
		※200	7.50	53.90	5.50	1370	140	343	35
※240	6.30	53.90	5.50	1370	140	343	35		

注：带※号的为转矩力限制机种，使用时请阅读本表。 Note: The number for the torque limit model, please read this table.

ZDF2尺寸图

ZDF2 SIZE CHART

规格 · 连续额定 Specification And Continuous Rating

型号 Model	输出功率 Output Power	电压 Voltage	频率 Frequency	额定电流 Rated Current	额定转矩 Rated Torque	额定转速 Rated Speed	堵转转矩 Locked Rotor Torque	堵转电流 Locked Rotor Current	绝缘等级 Insulation Grade
	W	V	Hz	A	N.m	r/min	N.m	A	
ZDF2-15H□-90-S(FTB)	90	200	60	0.55	0.57	1500	1.30	1.55	F
		220	50	0.68	0.66	1300	1.90	1.75	
ZDF2-15H□-90-S3(FTB)		380	50	0.38	0.66	1300	1.90	0.95	
		460	60	0.37	0.54	1600	2.00	1.05	

型号 Model	输出功率 Output Power	电压 Voltage	频率 Frequency	额定电流 Rated Current	额定转矩 Rated Torque	额定转速 Rated Speed	堵转转矩 Locked Rotor Torque	堵转电流 Locked Rotor Current	电容器 Capacitor	绝缘等级 Insulation Grade
	W	V	Hz	A	N.m	r/min	N.m	A	UF	
ZDF2-18A□-90-C(FTB)	90	200	60	0.68	0.55	1550	0.40	1.30	4.50	F
		220	50	0.75	0.68	1250	0.40	1.40		
ZDF2-18A□-90-A(FTB)		110	50	1.45	0.68	1250	0.40	2.80	20.0	
		110	60	1.45	0.55	1550	0.40	2.60		

功率 Power	孔径/轴径 Aperture/Axis Diameter	减速比 ReductionRatio	输出轴转速 Output Shaft Speed	输出轴容许转矩 Output Shaft Torque		输出轴容许 Output Shaft Tolerance		输出轴容许 Output Shaft Tolerance	
			r/min	N.m	kgf.m	N	kgf	N	kgf
90	15/18	i	50Hz	50Hz	50Hz	N	kgf	N	kgf
		10	150	5.340	0.54	441	45	108	11
		15	100	8.010	0.81	588	60	147	15
		20	75.0	10.69	1.09	735	75	186	19
		25	60.0	13.36	1.36	882	90	226	23
		30	50.0	16.03	1.63	980	100	245	25
		40	37.5	21.38	2.18	1080	110	275	28
		50	30.0	26.73	1.70	1180	120	294	30
		60	25.0	32.07	3.27	1180	120	294	30
		80	18.8	38.49	3.92	1270	130	324	33
		100	15.0	48.11	4.90	1270	130	324	33
		※120	12.5	53.90	5.50	1370	140	343	35
		※160	9.40	53.90	5.50	1370	140	343	35
		※200	7.50	53.90	5.50	1370	140	343	35
※240	6.30	53.90	5.50	1370	140	343	35		

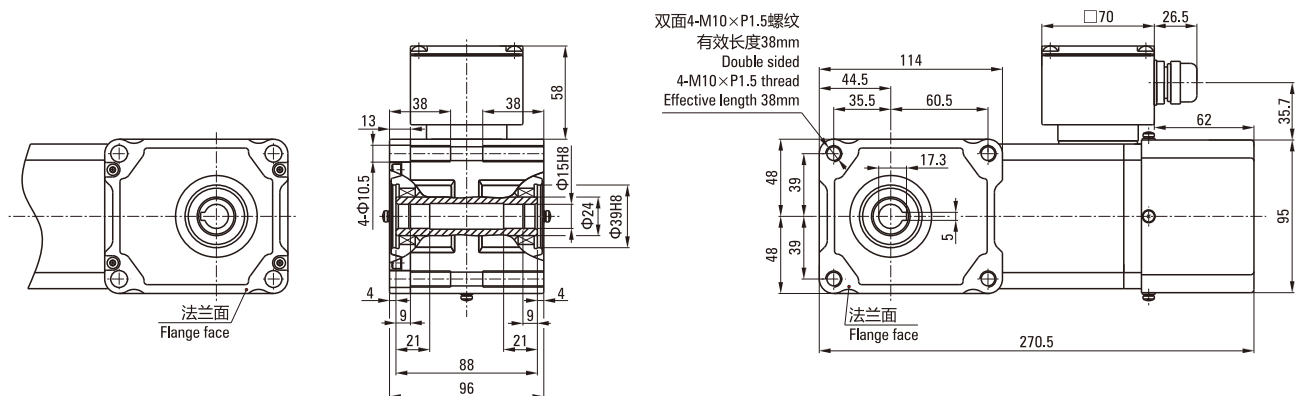
注：带※号的为转矩力限制机种，使用时请阅读本表。 Note: The number for the torque limit model, please read this table.

外形图 OUTLINE DRAWING

ZDF2-15H10~240-60~90-C(FT)
ZDF2-15H10~240-60~90-C(FTB)
ZDF2-15H10~240-60~90-S(FTB)

ZDF2-15H10~240-60~90-A(FT)
ZDF2-15H10~240-60~90-A(FTB)
ZDF2-15H10~240-60~90-S3(FTB)

ZDF2-15H10~240-60~90-S(FT)
ZDF2-15H10~240-60~90-S3(FT)

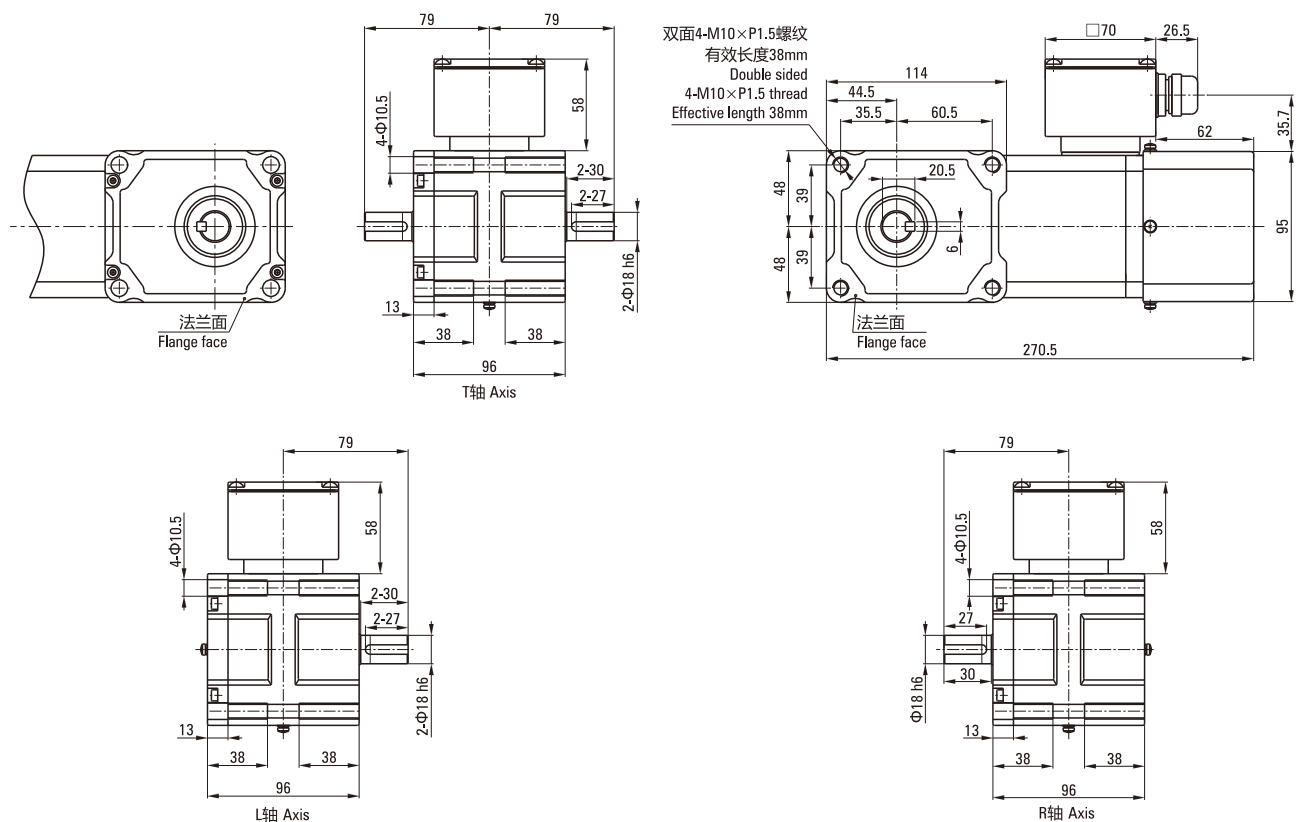


注：常规产品不带接线盒 Note: Conventional products without wiring box

ZDF2-18A10_R~240-60~90-C(FT)
ZDF2-18A10_R~240-60~90-C(FTB)
ZDF2-18A10_R~240-60~90-S(FTB)

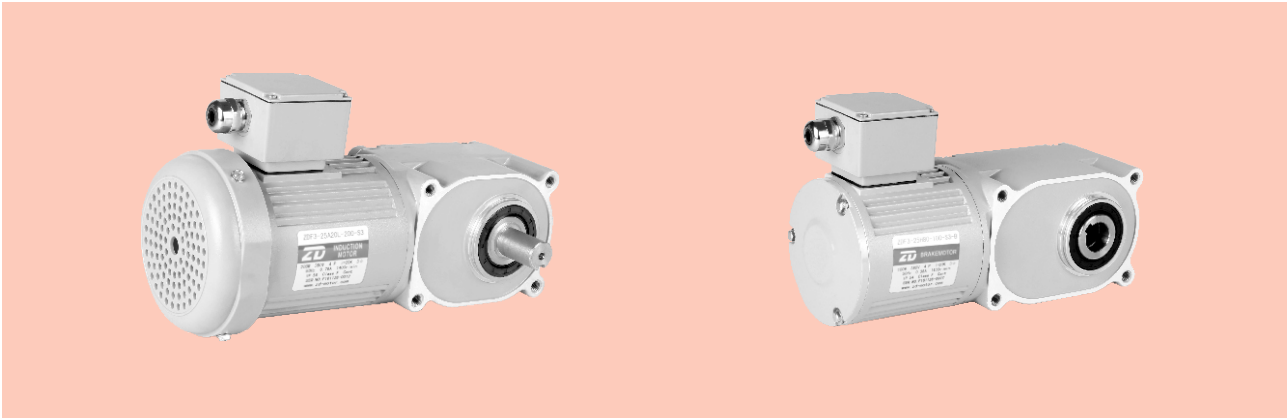
ZDF2-18A10_R~240-60~90-A(FT)
ZDF2-18A10_R~240-60~90-A(FTB)
ZDF2-18A10_R~240-60~90-S3(FTB)

ZDF2-18A10_R~240-60~90-S(FT)
ZDF2-18A10_R~240-60~90-S3(FT)



注：常规产品不带接线盒 Note: Conventional products without wiring box

ZDF3尺寸图 ZDF3 SIZE CHART



规格 · 连续额定 Specification And Continuous Rating

型号 Model	输出功率 Output Power	电压 Voltage	频率 Frequency	额定电流 Rated Current	额定转矩 Rated Torque	额定转速 Rated Speed	堵转转矩 Locked Rotor Torque	堵转电流 Locked Rotor Current	绝缘等级 Insulation Grade
	W	V	Hz	A	N.m	r/min	N.m	A	
ZDF3-25H□-100-S(B)	100	200	60	0.60	0.56	1700	1.22	2.59	F
		220	50	0.74	0.67	1410	1.85	1.10	
380		50	0.43	0.67	1410	1.85	1.64		
460		60	0.41	0.55	1730	2.00	1.80		
ZDF3-25H□-100-S ₃ (B)									

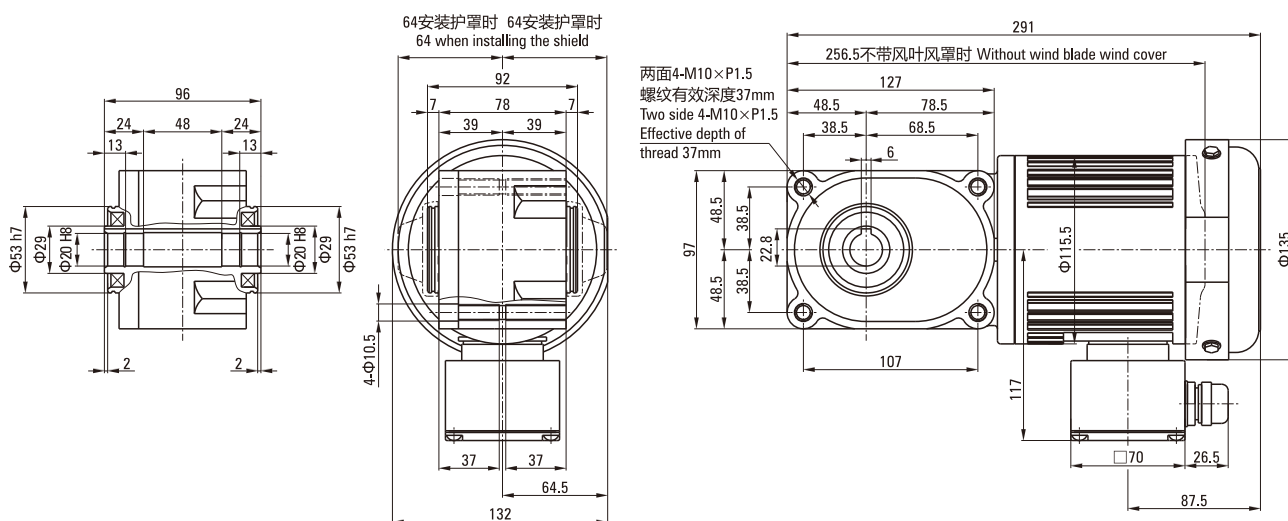
型号 Model	输出功率 Output Power	电压 Voltage	频率 Frequency	额定电流 Rated Current	额定转矩 Rated Torque	额定转速 Rated Speed	堵转转矩 Locked Rotor Torque	堵转电流 Locked Rotor Current	绝缘等级 Insulation Grade
	W	V	Hz	A	N.m	r/min	N.m	A	
ZDF3-22A□-100-S(B)	100	200	60	0.60	0.56	1700	1.22	2.59	F
		220	50	0.74	0.67	1410	1.85	1.10	
380		50	0.43	0.67	1410	1.85	1.64		
460		60	0.41	0.55	1730	2.00	1.80		
ZDF3-22A□-100-S ₃ (B)									

功率 Power	孔径/轴径 Aperture/Axis Diameter	减速比 Reduction Ratio	输出轴转速 Output Shaft Speed	输出轴容许转矩 Output Shaft Torque		输出轴容许 Output Shaft Tolerance		输出轴容许 Output Shaft Tolerance	
			r/min	N.m	kgf.m	N	kgf	N	kgf
			50Hz	50Hz	50Hz				
100	20/18	5	300	2.50	0.260	980	100	244	25
		7.5	200	3.80	0.390	1080	110	270	28
		10	150	5.20	0.530	1180	120	294	30
		12	125	6.50	0.660	1270	130	316	32
		15	100	7.70	0.790	1320	135	333	34
		20	75.0	10.8	1.100	1470	150	373	38
		25	60.0	13.0	1.300	1570	160	392	40
		30	50.0	16.0	1.600	1670	170	422	43
		40	37.5	21.0	2.100	1810	185	451	46
	50	30.0	25.0	2.600	1860	190	471	18	
	60	25.0	31.0	3.200	1860	190	471	48	
	25/22	80	18.8	39.0	4.000	2550	260	637	65
		100	15.0	49.0	5.000	2550	260	637	65
		120	12.5	59.0	6.000	2550	260	637	65
		160	9.40	78.0	8.000	2550	260	637	65
		200	7.50	98.0	10.01	2550	260	637	65
		※240	6.30	101	10.31	2550	260	637	65

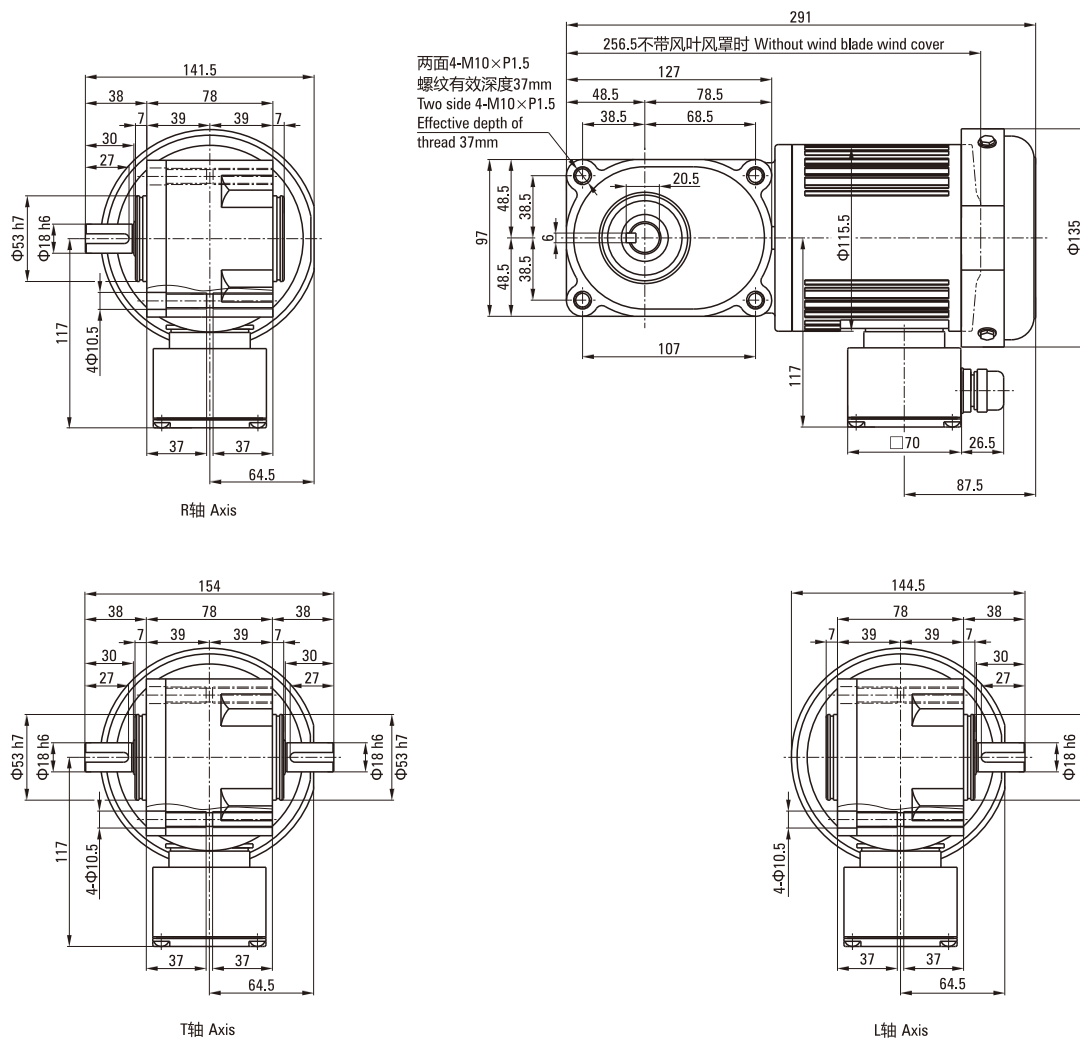
注：带※号的为转矩力限制机种，使用时请阅读本表。 Note: The number for the torque limit model, please read this table.

外形图 OUTLINE DRAWING

ZDF3-20H5~60-100-S(B) ZDF3-20H5~60-100-S₃(B)

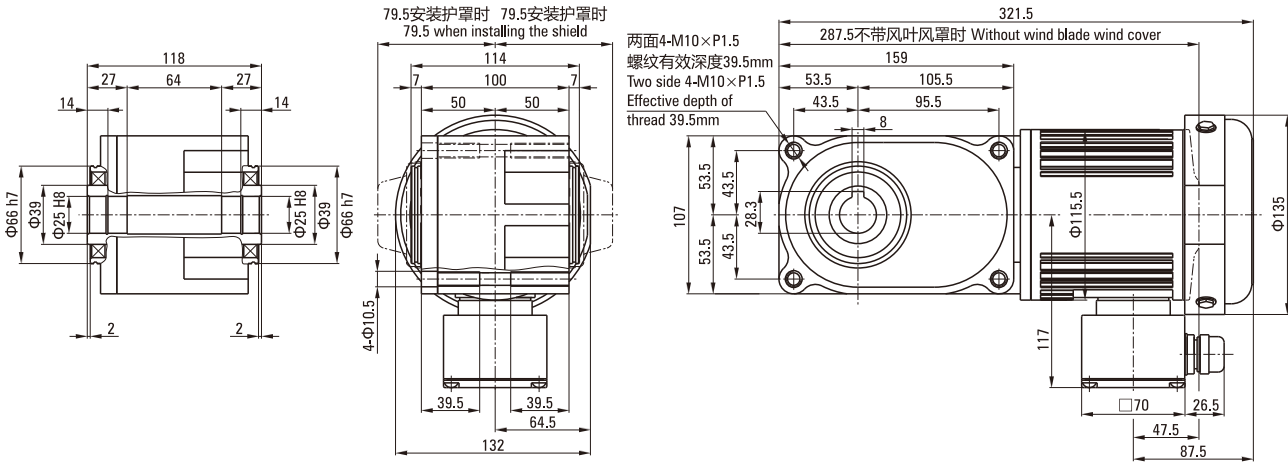


ZDF3-18A5~60_R-100-S(B) ZDF3-18H5~60_R-100-S₃(B)

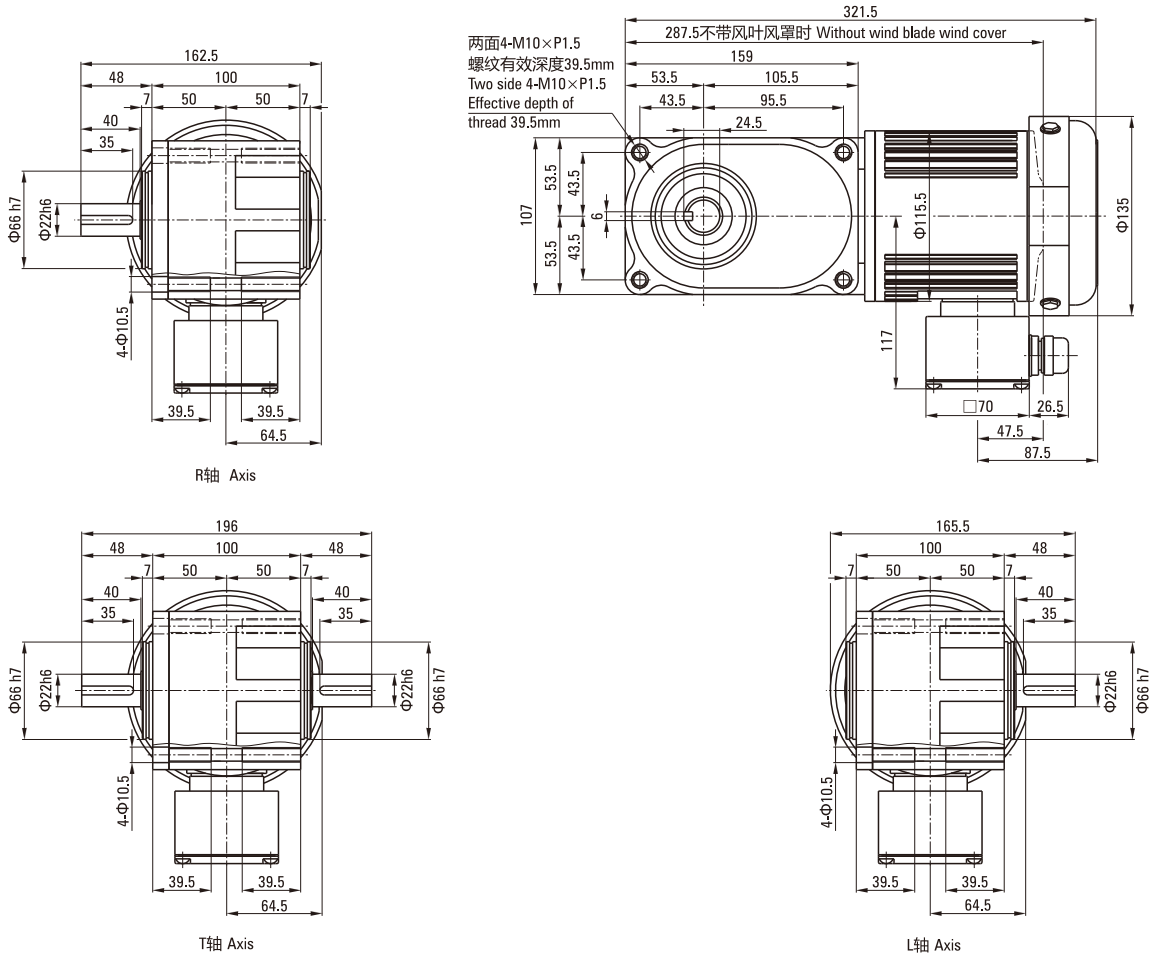


外形图 OUTLINE DRAWING

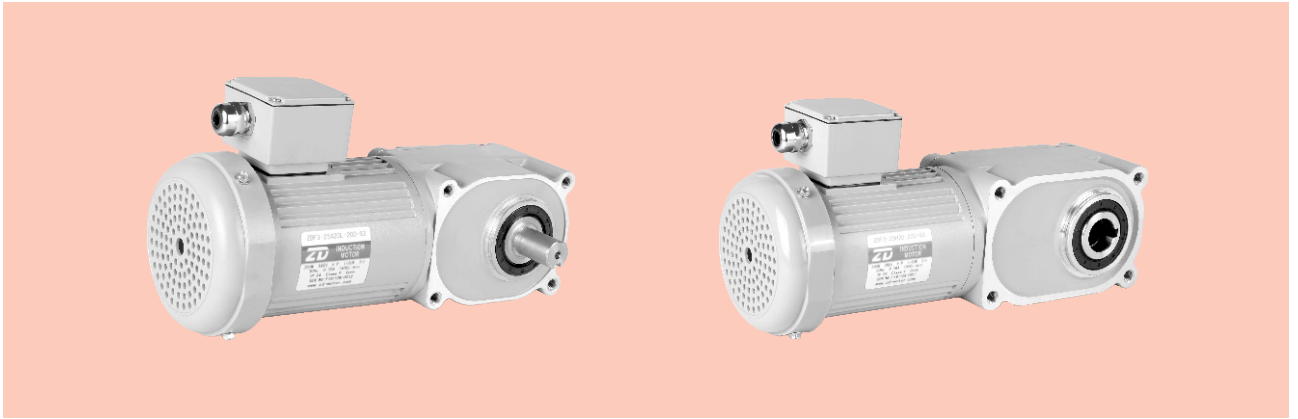
ZDF3-25H80~240-100-S(B) ZDF3-25H80~240-100-S₃(B)



ZDF3-22A80~240R-100-S(B) ZDF3-22A80~240R-100-S₃(B)



ZDF3尺寸图 ZDF3 SIZE CHART



规格 · 连续额定 Specification And Continuous Rating

型号 Model	输出功率 Output Power	电压 Voltage	频率 Frequency	额定电流 Rated Current	额定转矩 Rated Torque	额定转速 Rated Speed	堵转转矩 Locked Rotor Torque	堵转电流 Locked Rotor Current	绝缘等级 Insulation Grade
	W	V	Hz	A	N.m	r/min	N.m	A	
ZDF3-25H□-200-S(B)	200	200	60	1.10	1.12	1700	2.25	4.93	F
ZDF3-30H□-200-S(B)		220	50	1.35	1.36	1400	3.50	5.40	
ZDF3-25H□-200-S ₃ (B)		380	50	0.78	1.36	1400	3.50	3.10	
ZDF3-30H□-200-S ₃ (B)		460	60	0.78	1.12	1740	3.80	3.75	

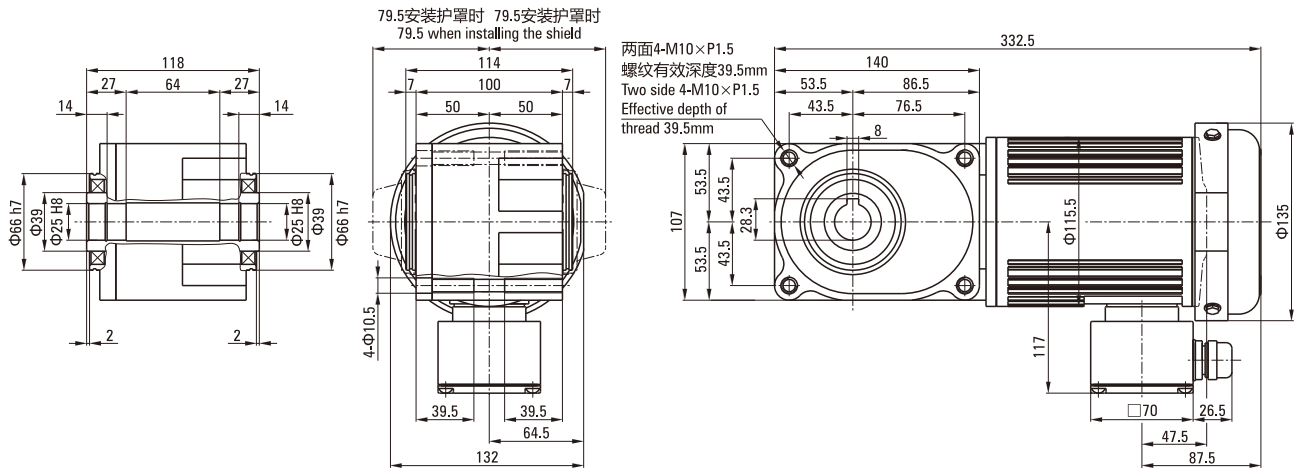
型号 Model	输出功率 Output Power	电压 Voltage	频率 Frequency	额定电流 Rated Current	额定转矩 Rated Torque	额定转速 Rated Speed	堵转转矩 Locked Rotor Torque	堵转电流 Locked Rotor Current	绝缘等级 Insulation Grade
	W	V	Hz	A	N.m	r/min	N.m	A	
ZDF3-22A□-200-S(B)	200	200	60	1.10	1.12	1700	2.25	4.93	F
ZDF3-28A□-200-S(B)		220	50	1.35	1.36	1400	3.50	5.40	
ZDF3-22A□-200-S ₃ (B)		380	50	0.78	1.36	1400	3.50	3.10	
ZDF3-28A□-200-S ₃ (B)		460	60	0.78	1.12	1740	3.80	3.75	

功率 Power	孔径/轴径 Aperture/Axis Diameter	减速比 Reduction Ratio	输出轴转速 Output Shaft Speed	输出轴容许转矩 Output Shaft Torque		输出轴容许 Output Shaft Tolerance		输出轴容许 Output Shaft Tolerance	
			r/min	N.m	kgf.m	N	kgf	N	kgf
W	mm	i	50Hz	50Hz	50Hz	N	kgf	N	kgf
200	25/22	5	300.0	5.5	0.560	1230	126	307	31
		7.5	200.0	8	0.790	1370	140	342	35
		10	150.0	11	1.130	1520	155	380	39
		12	125.0	13	1.350	1620	165	405	41
		15	100.0	17	1.690	1720	176	429	44
		20	75.00	22	2.260	1860	190	466	48
		25	60.00	28	2.820	2010	205	502	51
		30	50.00	33	3.380	2110	215	527	54
	30/28	40	37.50	44	4.510	2300	235	576	59
		50	30.00	55	5.640	2450	250	613	63
		60	25.00	66	6.770	2550	260	637	65
		80	18.80	80	8.120	3090	315	775	79
		100	15.00	99	10.15	3140	320	785	80
		120	12.50	119	12.18	3140	320	785	80
		160	9.400	159	16.24	3140	320	785	80
		※200	7.500	184	18.80	3140	320	785	80
※240	6.300	184	18.80	3140	320	785	80		

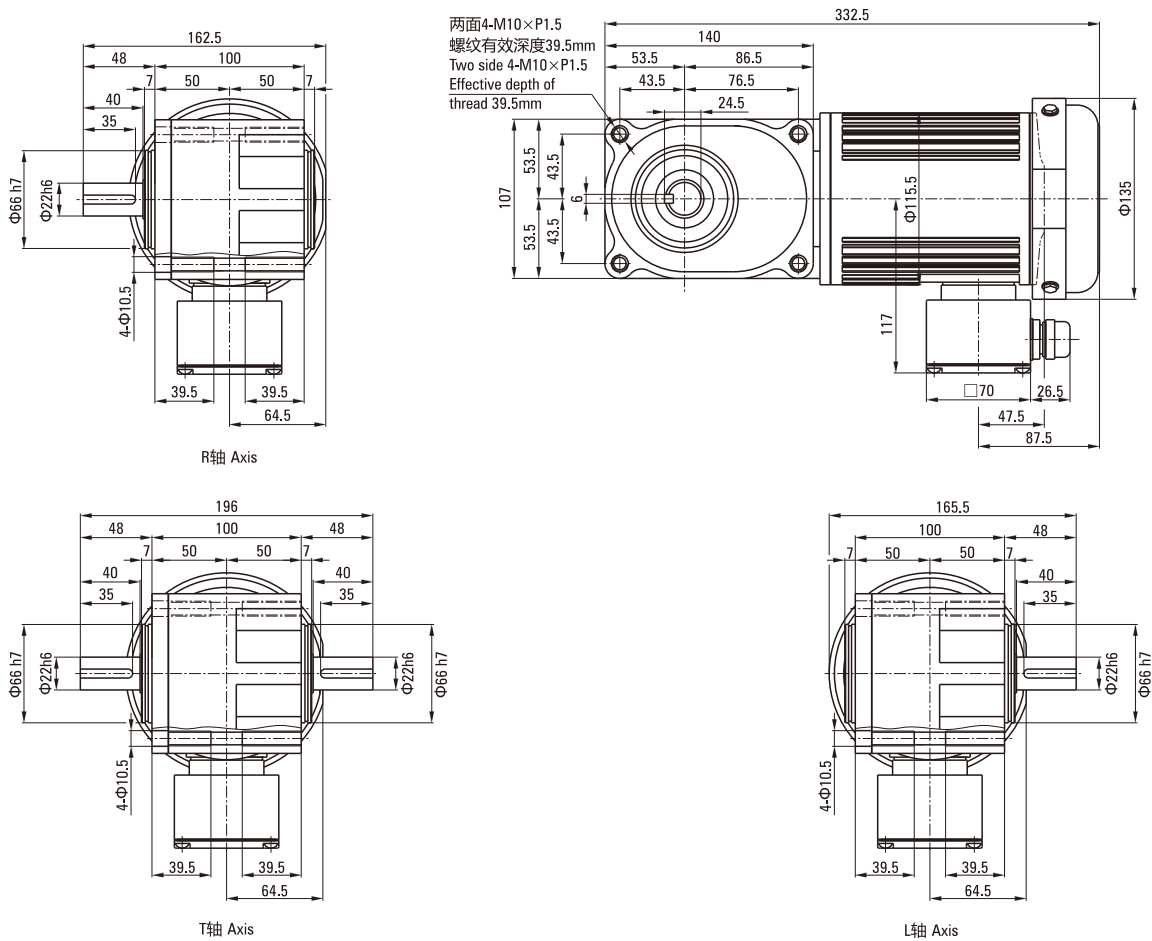
注：带※号的为转矩力限制机种，使用时请阅读本表。 Note: The number for the torque limit model, please read this table.

外形图 OUTLINE DRAWING

ZDF3-25H5~60-200-S(B) ZDF3-25H5~60-200-S₃(B)

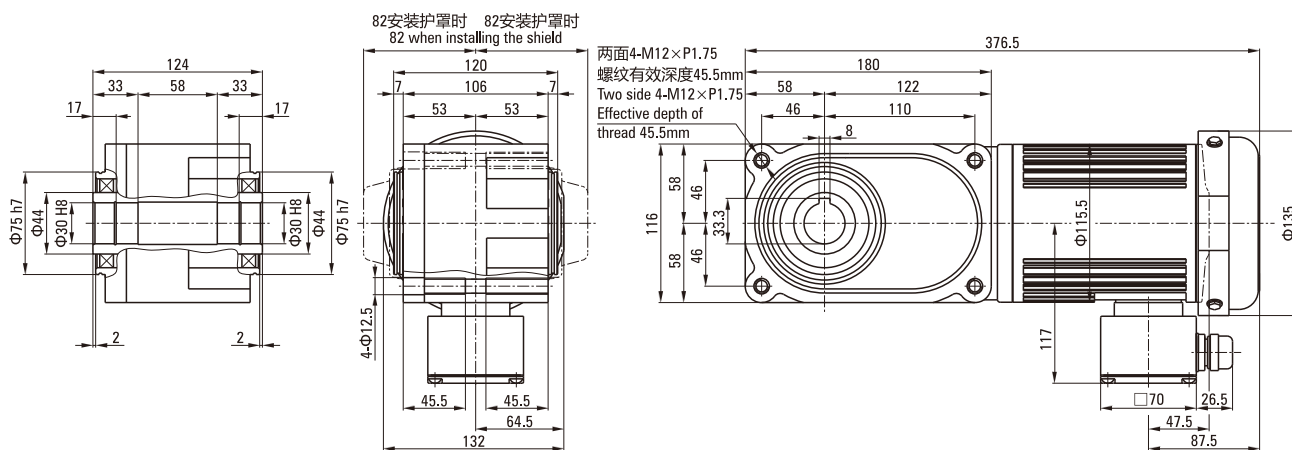


ZDF3-22A5~60R-200S-(B) ZDF3-22A5~60R-200-S₃(B)

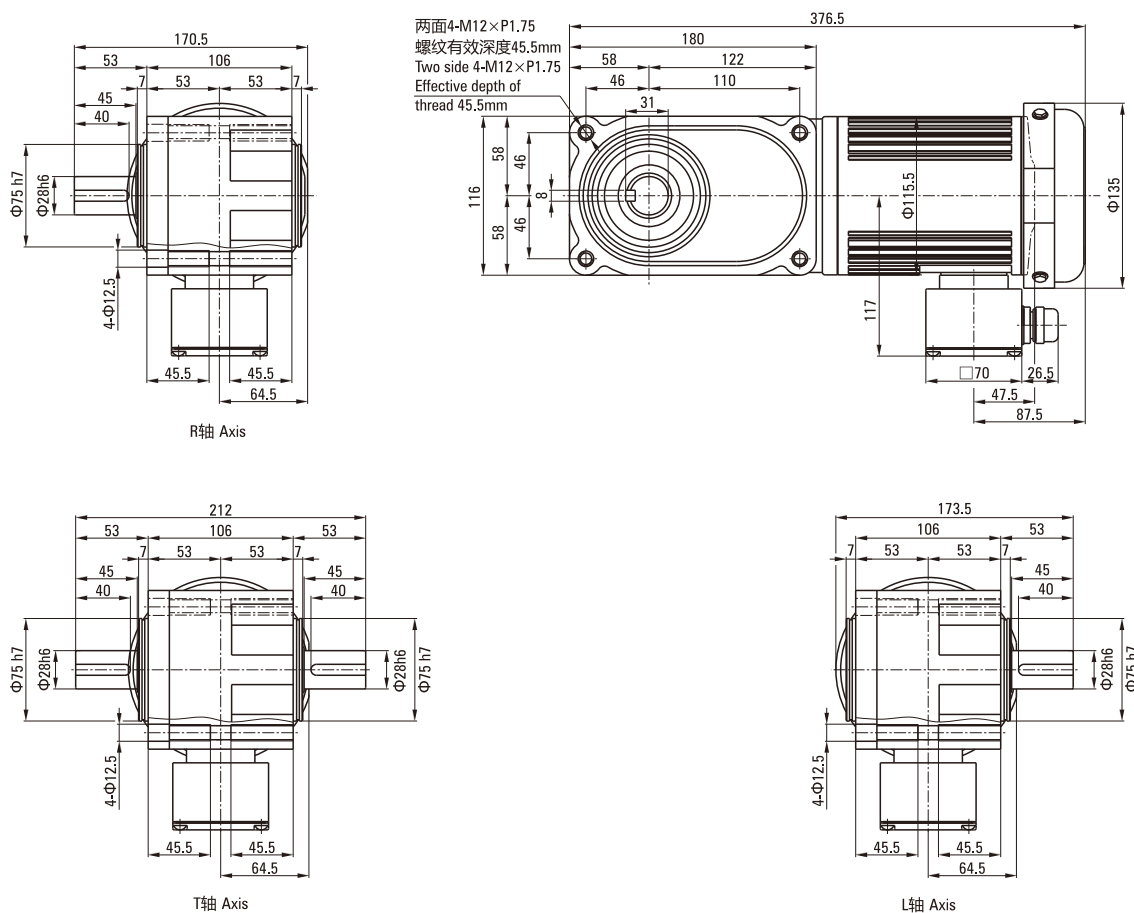


外形图 OUTLINE DRAWING

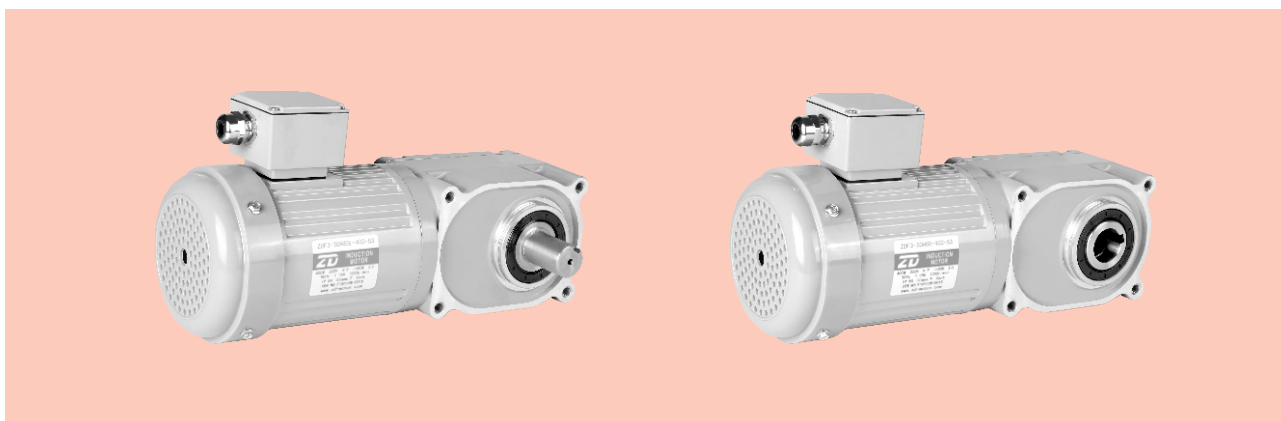
ZDF3-30H80~240-200-S(B) ZDF3-30H80~240-200-S₃(B)



ZDF3-28A80~240R-200-S(B) ZDF3-28A80~240R-200-S₃(B)



ZDF3尺寸图 ZDF3 SIZE CHART



规格 · 连续额定 Specification And Continuous Rating

型号 Model	输出功率 Output Power	电压 Voltage	频率 Frequency	额定电流 Rated Current	额定转矩 Rated Torque	额定转速 Rated Speed	堵转转矩 Locked Rotor Torque	堵转电流 Locked Rotor Current	绝缘等级 Insulation Grade
	W	V	Hz	A	N.m	r/min	N.m	A	
ZDF3-30H□-400-S(B)	400	200	60	1.97	2.31	1650	3.80	7.5	F
ZDF3-35H□-400-S(B)		220	50	2.00	2.75	1380	6.90	9.5	
ZDF3-30H□-400-S ₃ (B)		380	50	1.19	2.75	1380	6.90	5.5	
ZDF3-35H□-400-S ₃ (B)		460	60	1.11	2.20	1730	7.30	6.3	

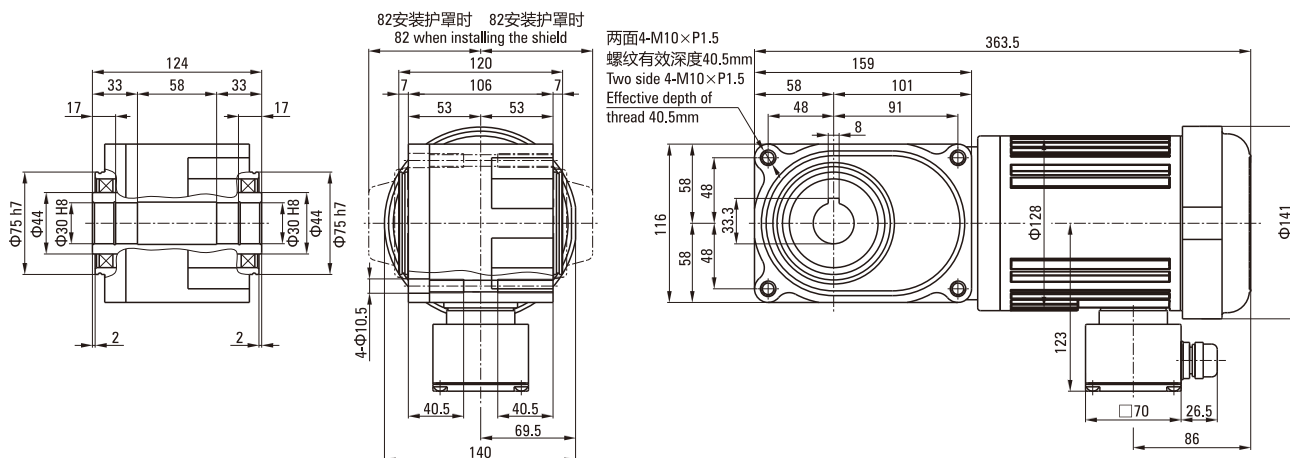
型号 Model	输出功率 Output Power	电压 Voltage	频率 Frequency	额定电流 Rated Current	额定转矩 Rated Torque	额定转速 Rated Speed	堵转转矩 Locked Rotor Torque	堵转电流 Locked Rotor Current	绝缘等级 Insulation Grade
	W	V	Hz	A	N.m	r/min	N.m	A	
ZDF3-28A□-400-S(B)	400	200	60	1.97	2.31	1650	3.80	7.5	F
ZDF3-32A□-400-S(B)		220	50	2.00	2.75	1380	6.90	9.5	
ZDF3-28A□-400-S ₃ (B)		380	50	1.19	2.75	1380	6.90	5.5	
ZDF3-32A□-400-S ₃ (B)		460	60	1.11	2.20	1730	7.30	6.3	

功率 Power	孔径/轴径 Aperture/Axis Diameter	减速比 Reduction Ratio	输出轴转速 Output Shaft Speed		输出轴容许转矩 Output Shaft Torque		输出轴容许 Output Shaft Tolerance		输出轴容许 Output Shaft Tolerance	
			r/min	50Hz	N.m	kgf.m	N	kgf	轴向往负载 Axial Force Load	
									N	kgf
400	30/28	5	300.0	11	1.130	1520	155	375	38	
		7.5	200.0	17	1.730	1760	180	438	45	
		10	150.0	22	2.260	1910	195	475	48	
		12	125.0	27	2.710	2060	210	506	52	
		15	100.0	33	3.380	2160	220	539	55	
		20	75.00	44	4.510	2400	245	600	61	
		25	60.00	55	5.640	2550	260	637	65	
		30	50.00	66	6.770	2650	270	662	68	
		40	37.50	88	9.020	2840	290	711	73	
	50	30.00	111	11.28	2990	305	747	76		
	60	25.00	133	13.53	3090	315	767	78		
	35/32	80	18.80	159	16.24	3480	355	873	89	
		100	15.00	199	20.30	3530	360	833	85	
		120	12.50	239	24.36	3530	360	833	85	
		※160	9.400	270	27.55	3630	370	912	93	
		※200	7.500	270	27.55	3630	370	912	93	
		※240	6.300	270	27.55	3630	370	912	93	

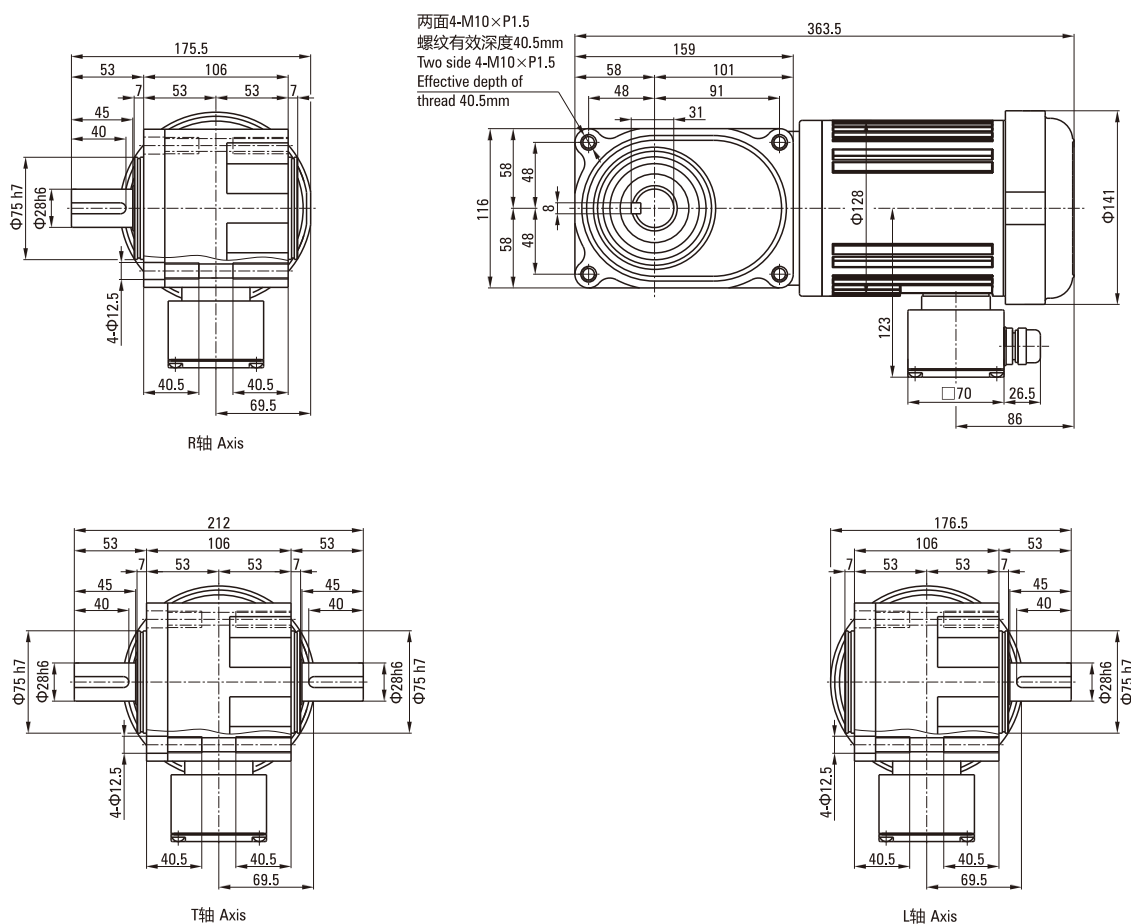
注：带※号的为转矩力限制机种，使用时请阅读本表。 Note: The number for the torque limit model, please read this table.

外形图 OUTLINE DRAWING

ZDF3-30H5~60-400-S(B) ZDF3-30H5~60-400-S₃(B)

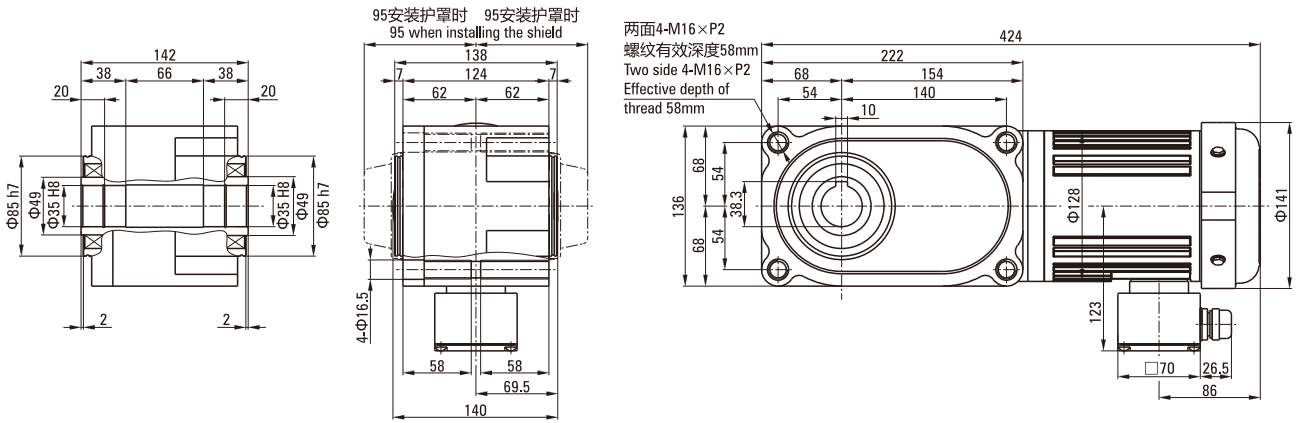


ZDF3-28A5~60-400-S(B) ZDF3-28A5~60-400-S₃(B)

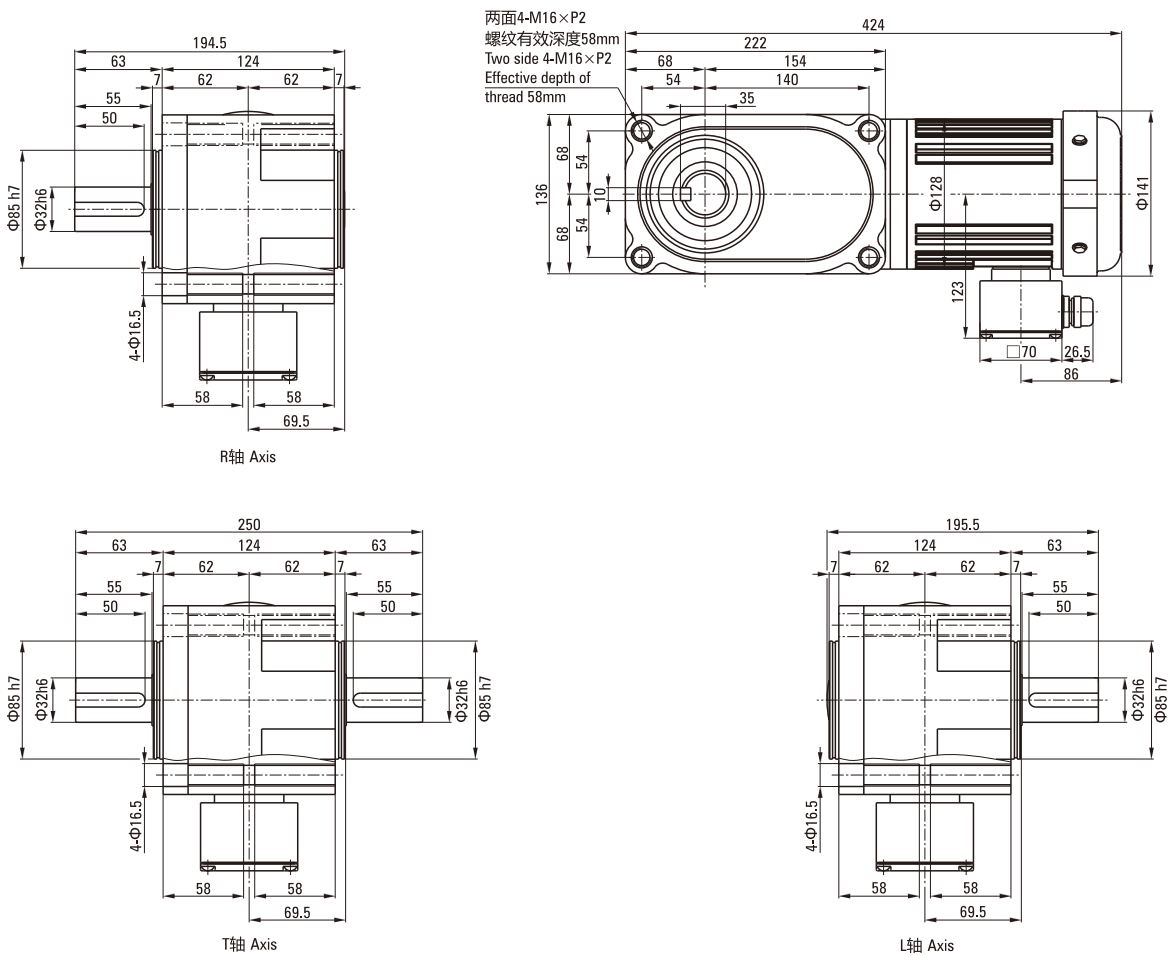


外形图 OUTLINE DRAWING

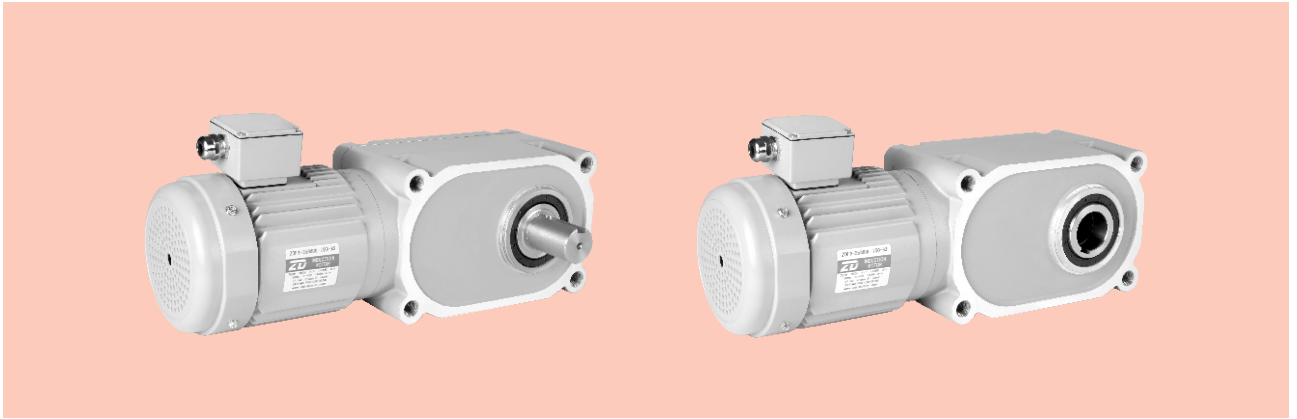
ZDF3-35H80~240-400-S(B) ZDF3-35H80~240-400-S₃(B)



ZDF3-32A80~240R-400-S(B) ZDF3-32A80~240R-400-S₃(B)



ZDF3尺寸图 ZDF3 SIZE CHART



规格 · 连续额定 Specification And Continuous Rating

型号 Model	输出功率 Output Power	电压 Voltage	频率 Frequency	额定电流 Rated Current	额定转矩 Rated Torque	额定转速 Rated Speed	堵转转矩 Locked Rotor Torque	堵转电流 Locked Rotor Current	绝缘等级 Insulation Grade
	W	V	Hz	A	N.m	r/min	N.m	A	
ZDF3-35H□-750-S(B)	750	200	60	3.45	4.22	1700	9.20	10.0	F
ZDF3-45H□-750-S(B)		220	50	4.24	5.00	1430	15.5	12.0	
ZDF3-35H□-750-S ₃ (B)		380	50	2.45	5.00	1430	15.5	12.0	
ZDF3-45H□-750-S ₃ (B)		460	60	2.28	4.12	1730	16.0	13.2	

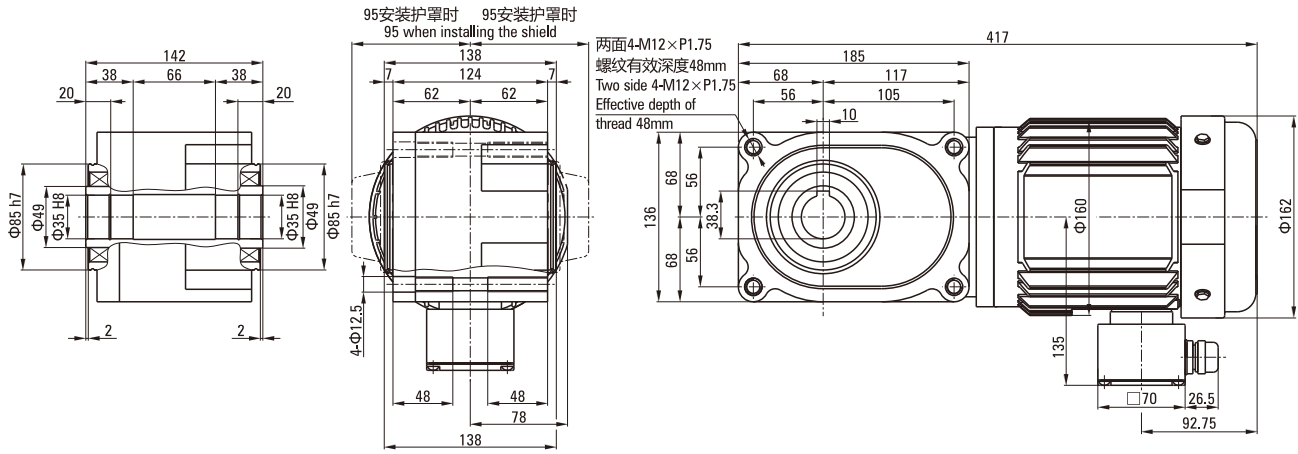
型号 Model	输出功率 Output Power	电压 Voltage	频率 Frequency	额定电流 Rated Current	额定转矩 Rated Torque	额定转速 Rated Speed	堵转转矩 Locked Rotor Torque	堵转电流 Locked Rotor Current	绝缘等级 Insulation Grade
	W	V	Hz	A	N.m	r/min	N.m	A	
ZDF3-32A□-750-S(B)	750	200	60	3.45	4.22	1700	9.20	10.0	F
ZDF3-40A□-750-S(B)		220	50	4.24	5.00	1430	15.5	12.0	
ZDF3-32A□-750-S ₃ (B)		380	50	2.45	5.00	1430	15.5	12.0	
ZDF3-40A□-750-S ₃ (B)		460	60	2.28	4.12	1730	16.0	13.2	

功率 Power	孔径/轴径 Aperture/Axis Diameter	减速比 Reduction Ratio	输出轴转速 Output Shaft Speed	输出轴容许转矩 Output Shaft Torque		输出轴容许 Output Shaft Tolerance		输出轴容许 Output Shaft Tolerance	
			r/min	N.m	kgf.m	N	kgf	N	kgf
W	mm	i	50Hz	50Hz	50Hz	N	kgf	N	kgf
750	35/32	5	300.0	21	2,110	1960	200	500	51
		7.5	200.0	30	3,100	2250	230	567	58
		10	150.0	41	4,230	2450	250	613	63
		12	125.0	50	5,070	2600	265	669	68
		15	100.0	62	6,340	2740	280	686	70
		20	75.00	83	8,460	2990	305	747	76
		25	60.00	104	10,57	3190	326	796	81
		30	50.00	124	12,69	3280	335	821	84
	45/40	40	37.50	166	16,91	3480	355	870	89
		50	30.00	207	21,14	3480	355	870	89
		60	25.00	249	25,37	3480	355	870	89
		80	18.80	298	30,45	4750	485	1177	120
		100	15.00	373	38,06	4750	485	1177	120
		120	12.50	448	45,67	4750	485	1177	120
		※160	9.400	554	56,53	5190	530	1275	130
		※200	7.500	554	56,53	5190	530	1275	130
※240	6.300	554	56,53	5190	530	1275	130		

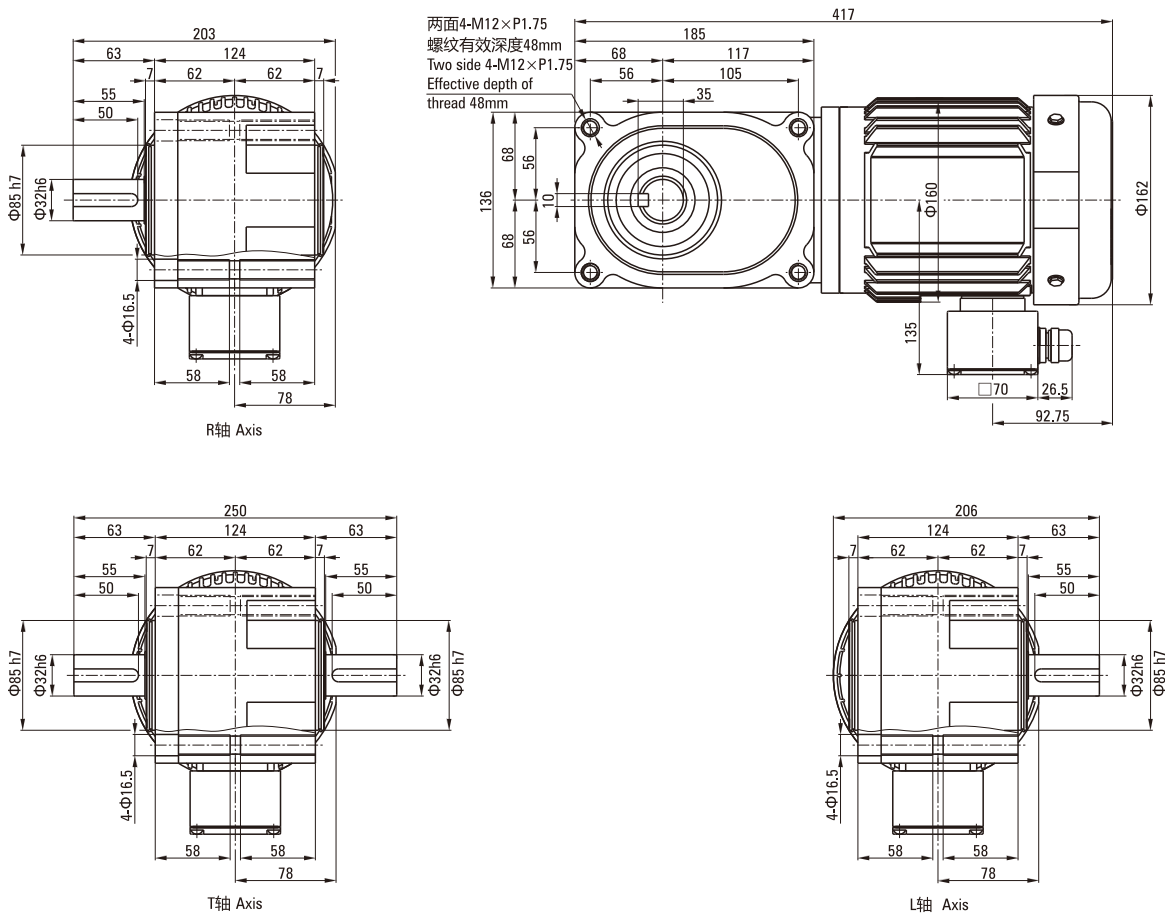
注：带※号的为转矩力限制机种，使用时请阅读本表。 Note: The number for the torque limit model, please read this table.

外形图 OUTLINE DRAWING

ZDF3-35H5~60-750-S(B) ZDF3-35H5~60-750-S₃(B)

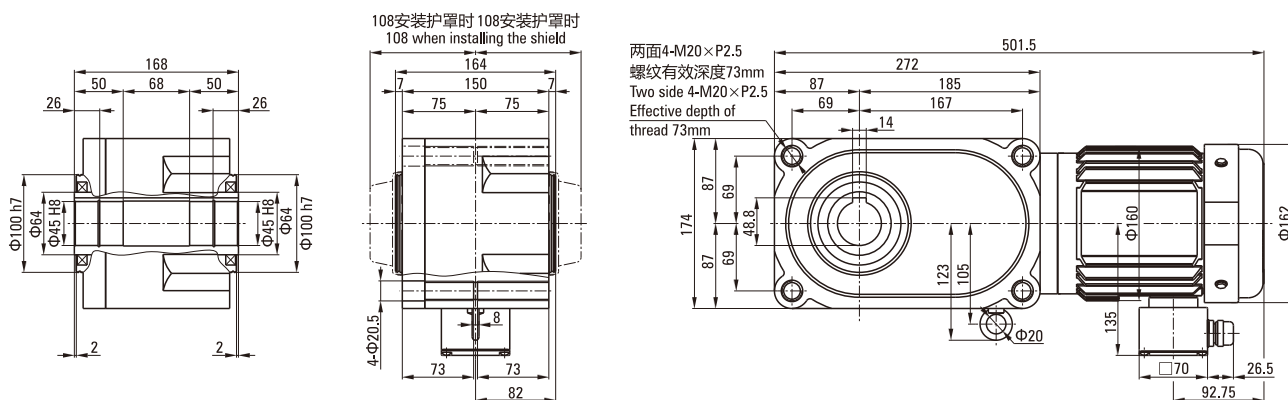


ZDF3-32A5~60_R-750-S(B) ZDF3-32A5~60_R-750-S₃(B)

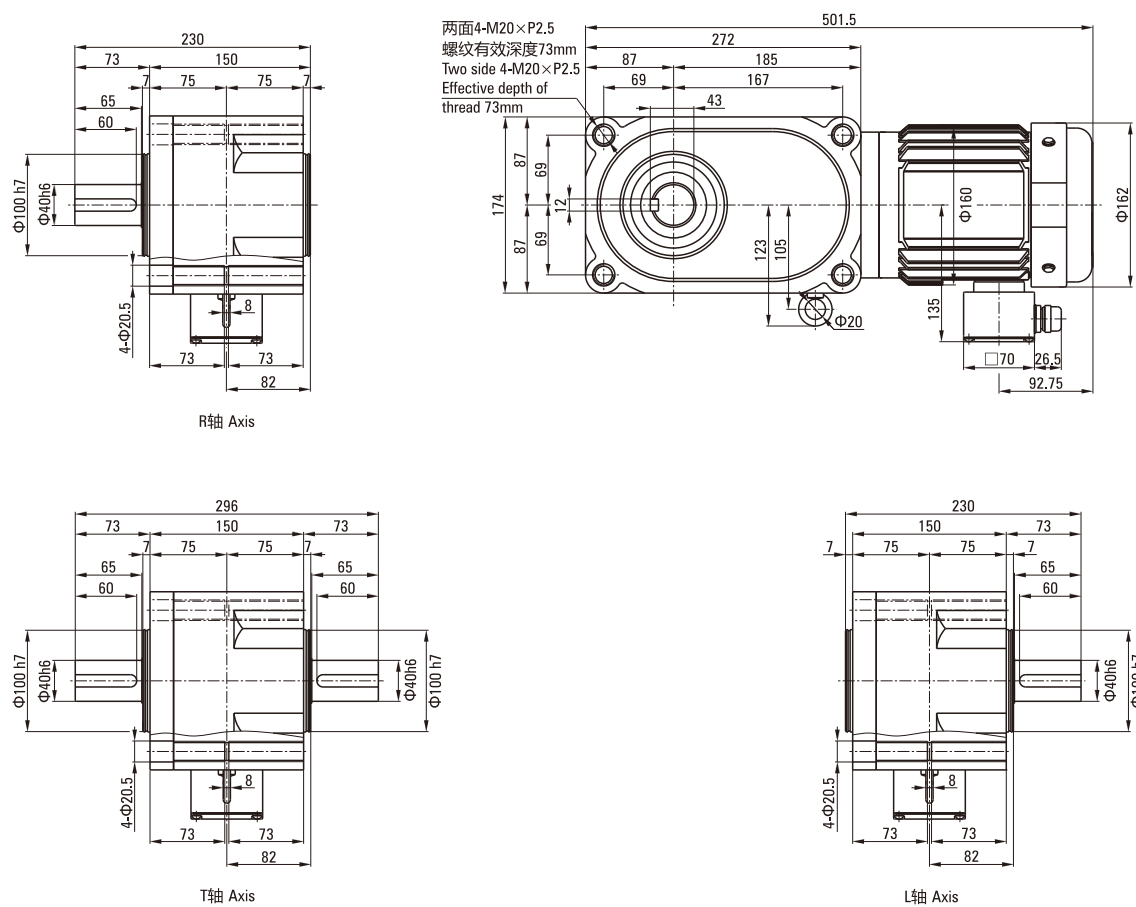


外形图 OUTLINE DRAWING

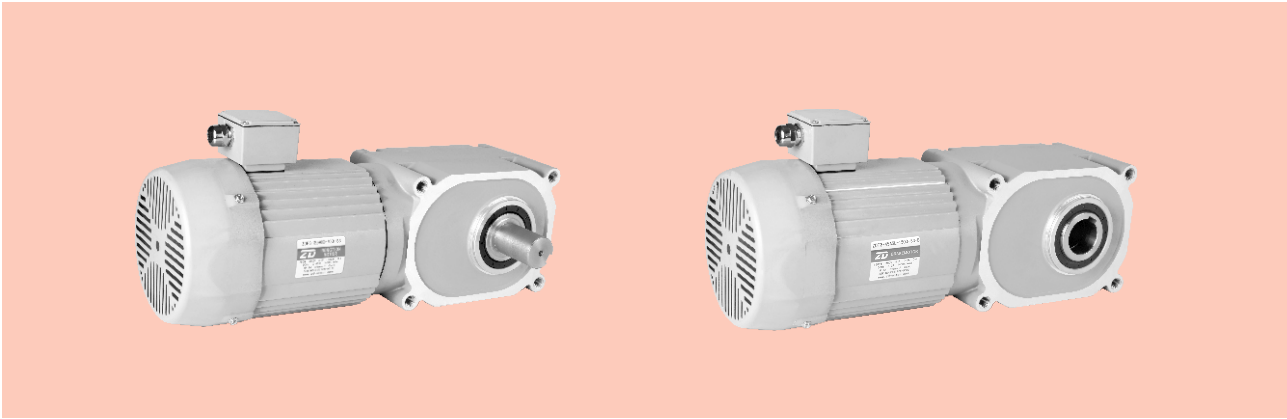
ZDF3-45H80~240-750-S(B) ZDF3-45H80~240-750-S₃(B)



ZDF3-40A80~240R-750-S(B) ZDF3-40A80~240R-750-S₃(B)



ZDF3尺寸图 ZDF3 SIZE CHART



规格 · 连续额定 Specification And Continuous Rating

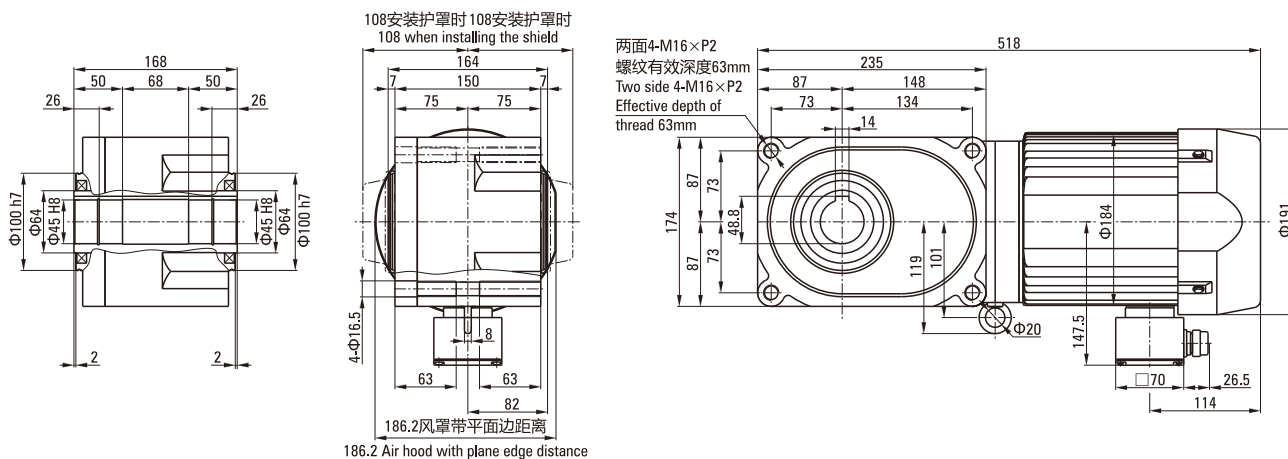
型号 Model	输出功率 Output Power	电压 Voltage	频率 Frequency	额定电流 Rated Current	额定转矩 Rated Torque	额定转速 Rated Speed	堵转转矩 Locked Rotor Torque	堵转电流 Locked Rotor Current	绝缘等级 Insulation Grade
	W	V	Hz	A	N.m	r/min	N.m	A	
ZDF3-45H□-1500-S(B)	1500	200	60	7.10	8.70	1650	15.60	30.00	F
		220	50	6.70	10.2	1410	29.50	38.00	
ZDF3-45H□-1500-S ₃ (B)		380	50	3.70	10.2	1400	22.30	31.00	
		460	60	3.30	8.50	1740	31.60	24.00	

型号 Model	输出功率 Output Power	电压 Voltage	频率 Frequency	额定电流 Rated Current	额定转矩 Rated Torque	额定转速 Rated Speed	堵转转矩 Locked Rotor Torque	堵转电流 Locked Rotor Current	绝缘等级 Insulation Grade
	W	V	Hz	A	N.m	r/min	N.m	A	
ZDF3-40A□-1500-S(B)	1500	200	60	7.10	8.70	1650	15.60	30.00	F
		220	50	6.70	10.2	1410	29.50	38.00	
ZDF3-40A□-1500-S ₃ (B)		380	50	3.70	10.2	1400	22.30	31.00	
		460	60	3.30	8.50	1740	31.60	24.00	

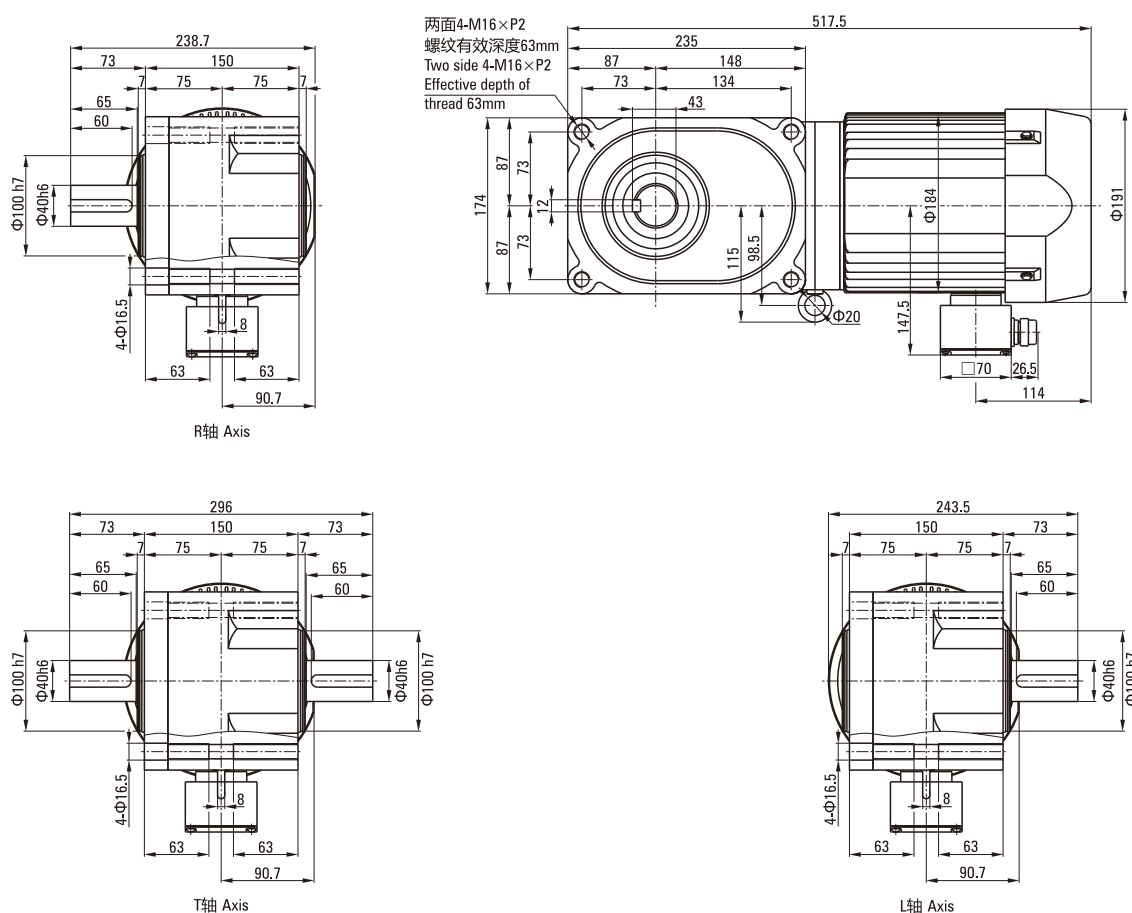
功率 Power	孔径/轴径 Aperture/Axis Diameter	减速比 Reduction Ratio	输出轴转速 Output Shaft Speed	输出轴容许转矩 Output Shaft Torque		输出轴容许 Output Shaft Tolerance		输出轴容许 Output Shaft Tolerance	
			r/min	N.m	kgf.m	N	kgf	N	kgf
			50Hz	50Hz	50Hz				
1500	45/40	5	300.0	41	4.230	2550	260	800	82
		7.5	200.0	62	6.330	2940	300	900	92
		10	150.0	83	8.460	3330	340	967	99
		12	125.0	99	10.15	3630	370	1040	106
		15	100.0	124	12.69	3920	400	1067	109
		20	75.00	166	16.91	4070	415	1067	109
		25	60.00	207	21.14	4460	455	1067	109
		30	50.00	249	25.37	4700	480	1067	109
		40	37.50	332	33.83	4750	485	1067	109
		50	30.00	414	42.29	4750	485	1067	109
60	25.00	497	50.74	4750	485	1067	109		

外形图 OUTLINE DRAWING

ZDF3-45H5~60-1500-S(B) ZDF3-45H5~60-1500-S₃(B)

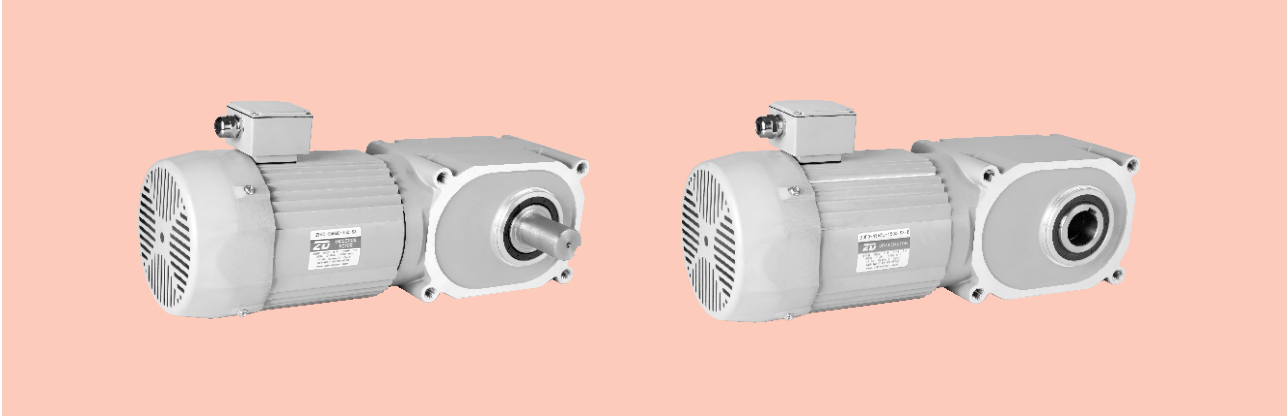


ZDF3-40A5~60-1500-S(B) ZDF3-40A5~60-1500-S₃(B)



ZDF3尺寸图

ZDF3 SIZE CHART



规格 · 连续额定 Specification And Continuous Rating

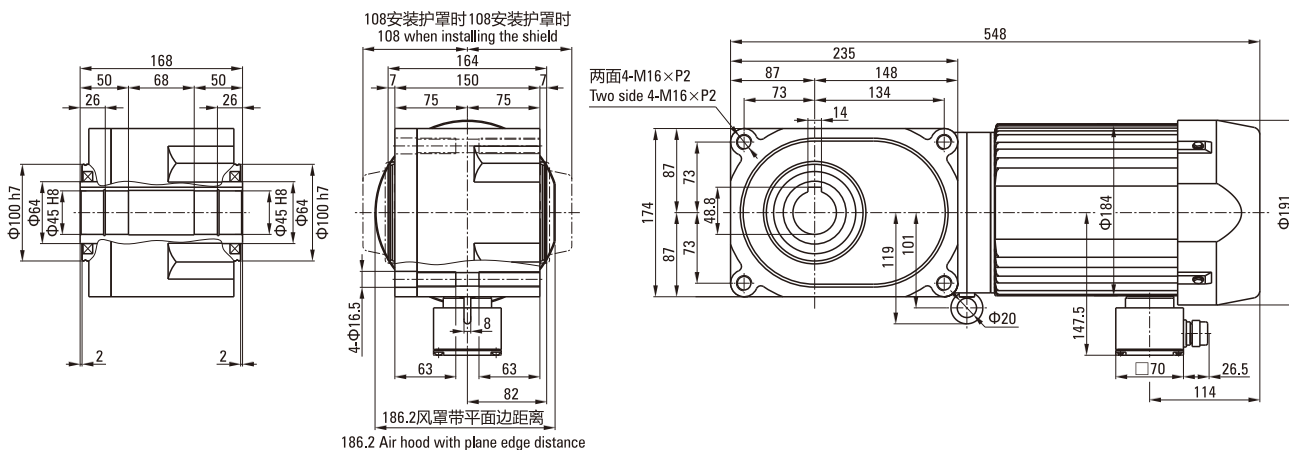
型号 Model	输出功率 Output Power	电压 Voltage	频率 Frequency	额定电流 Rated Current	额定转矩 Rated Torque	额定转速 Rated Speed	堵转转矩 Locked Rotor Torque	堵转电流 Locked Rotor Current	绝缘等级 Insulation Grade
	W	V	Hz	A	N.m	r/min	N.m	A	
ZDF3-45H□-2200-S	2200	200	60	8.50	12.4	1700	34.00	52.00	F
		220	50	8.70	14.7	1430	70.00	69.00	
ZDF3-45H□-2200-S ₃		380	50	5.00	14.7	1430	70.00	40.00	
		460	60	4.50	12.0	1740	83.00	46.00	

型号 Model	输出功率 Output Power	电压 Voltage	频率 Frequency	额定电流 Rated Current	额定转矩 Rated Torque	额定转速 Rated Speed	堵转转矩 Locked Rotor Torque	堵转电流 Locked Rotor Current	绝缘等级 Insulation Grade
	W	V	Hz	A	N.m	r/min	N.m	A	
ZDF3-40A□-2200-S	2200	200	60	8.50	12.4	1700	34.00	52.00	F
		220	50	8.70	14.7	1430	70.00	69.00	
ZDF3-40A□-2200-S ₃		380	50	5.00	14.7	1430	70.00	40.00	
		460	60	4.50	12.0	1740	83.00	46.00	

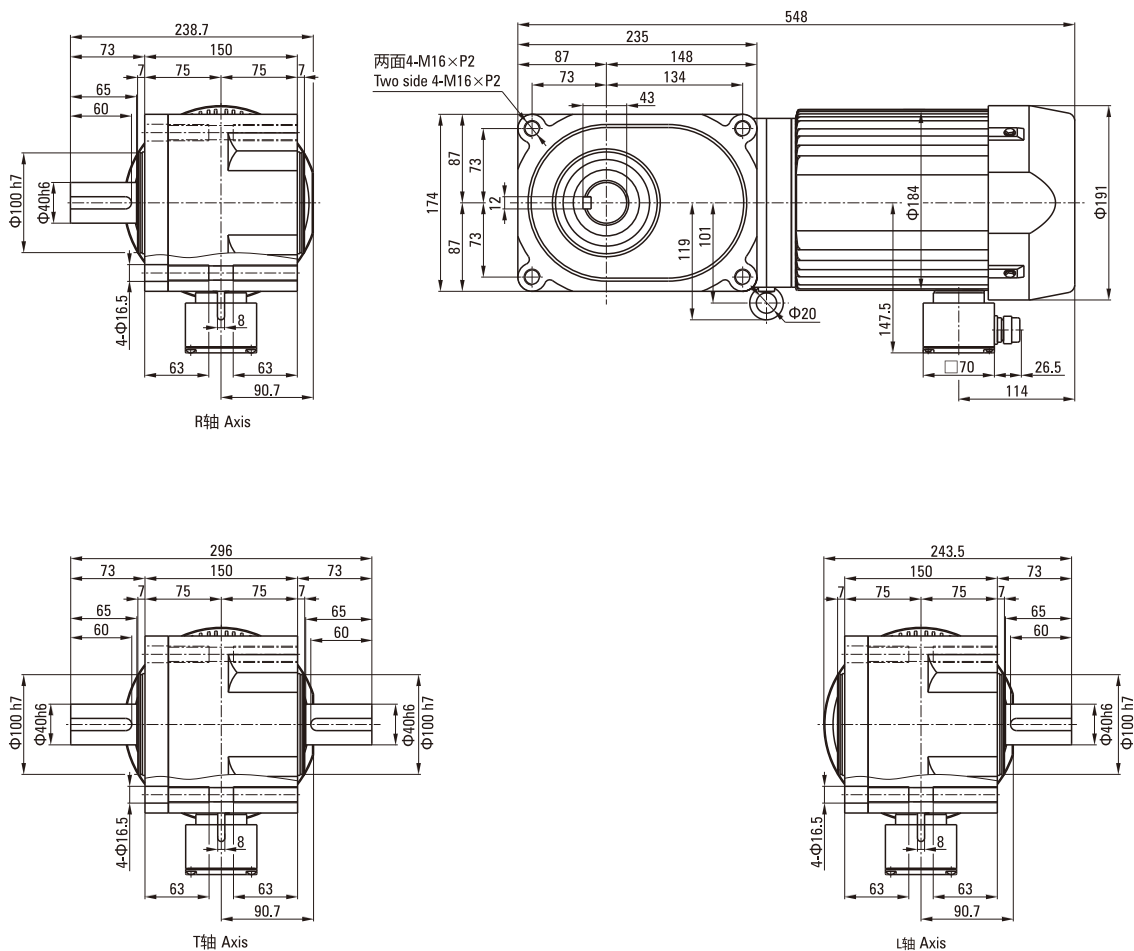
功率 Power	孔径/轴径 Aperture/Axis Diameter	减速比 Reduction Ratio	输出轴转速 Output Shaft Speed	输出轴容许转矩 Output Shaft Torque		输出轴容许 Output Shaft Tolerance		输出轴容许 Output Shaft Tolerance	
			r/min	N.m	kgf.m	N	kgf	N	kgf
			50Hz	50Hz	50Hz				
2200	45/40	5	300.0	58	5.920	3100	316	800	82
		7.5	200.0	90	9.180	3500	357	900	92
		10	150.0	120	12.24	3900	398	967	99
		12	125.0	150	15.31	4100	418	1040	106
		15	100.0	180	18.37	4400	449	1067	109
		20	75.00	240	24.49	4700	480	1067	109
		25	60.00	300	30.61	4700	480	1067	109
		30	50.00	360	36.73	4700	480	1067	109

外形图 OUTLINE DRAWING

ZDF3-45H5~30-2200-S(B) ZDF3-45H5~30-2200-S₃(B)

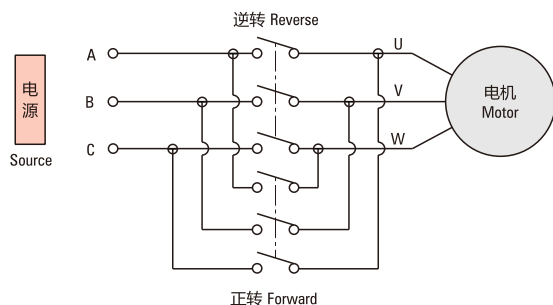


ZDF3-40A5~30-2200-S(B) ZDF3-40A5~30-2200-S₃(B)



连接图 CONNECTION DIAGRAM

标准型 Standard Type



图Chart 符号 Symbol	接线盒 Junction Box
	端子符号 Terminal Symbol
A	U
B	V
C	W

单相接线图 Standard Type

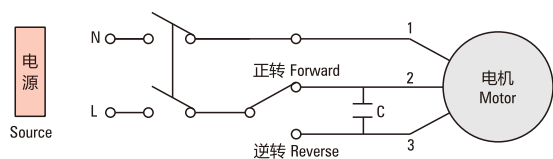


图 Chart 符号 Symbol	接线盒 Junction Box 端子符号 Terminal Symbol	对应电机引线 Corresponding Motor Lead
1	U	红 Red
2	V	蓝 Blue
3	W	白 White

带电磁制动型 Electromagnetic Brake Type

接线的种类与选择要点 Types and selection of wiring

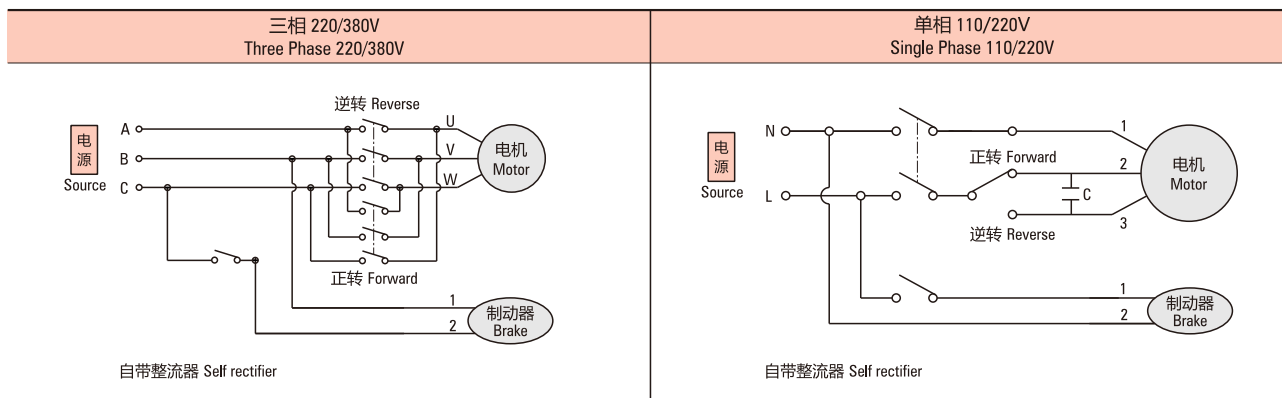
接线 Connection	选择要点 Select Points	变频器 Frequency Converter	升降运转 Lifting Operation	省配线 Provincial Distribution	制动延迟 Brake Delay
交流开关 (A) AC switch (A)	由于电动机与电磁制动部可以使用不同的电路，因此最适合用于变频器驱动。 Because the electric motor and the electromagnetic braking part can use different circuits, the most suitable for the drive of the frequency converter.	◎ (最合适) (Most suitable)	○ (可以使用) (Can be used)	○	○
交流开关 (B) AC switch (B)	最简单的方法，即配线只靠电源线连接就可运转。配线的数量也相对减少。 The most simple way, that is, only by power cable wiring can run. The number of wiring is also relatively reduced.	✕ (不能使用) (Out of commission)	✕ (不能使用) (Out of commission)	◎	△

请注意：所谓制动延迟时间是指关闭开关到制动开始的时间，与制动时间不同。

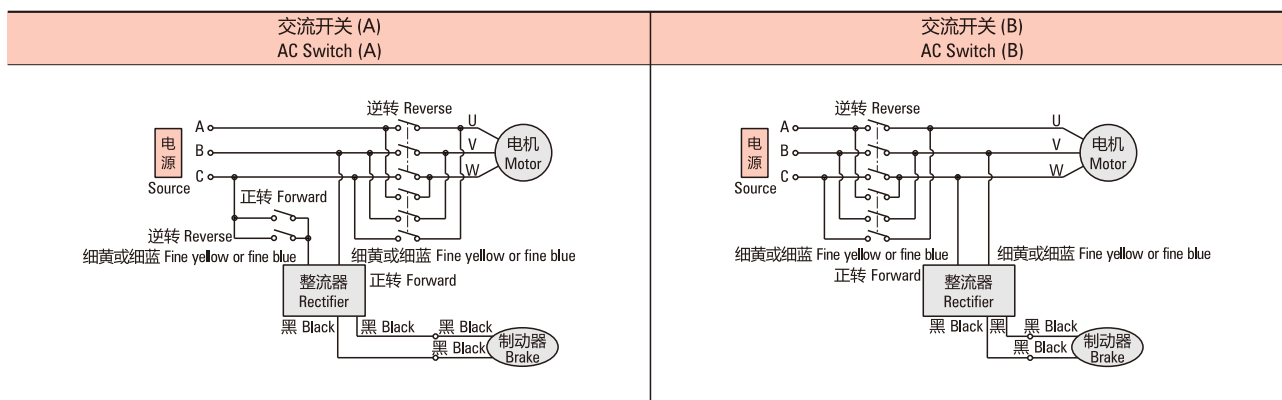
Note: The so-called brake delay time is to turn off the switch to the beginning of the braking time, and the braking time is different.

连接方法 Connection Method

ZDF2系列 Series

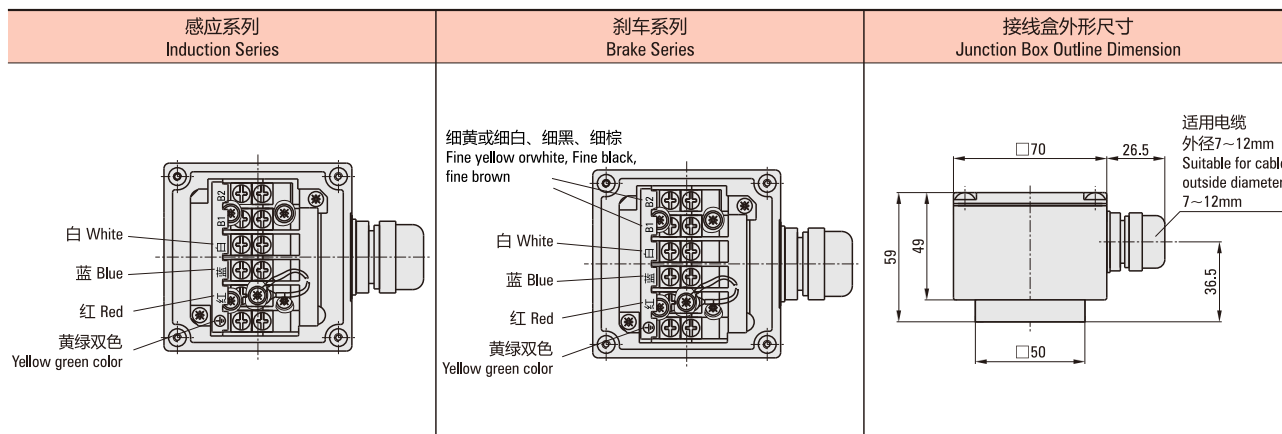


ZDF3系列 Series



端子箱 Terminal Box

单相 Single-phase



细黄: AC 220V — F3
 细白: AC 110V — F3
 细棕: AC 380V — F2
 细黑: AC 220V — F2

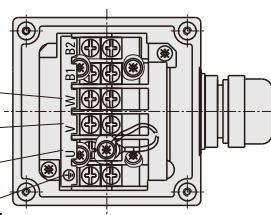
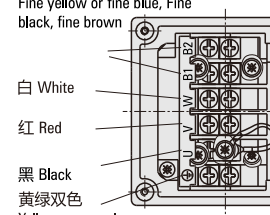
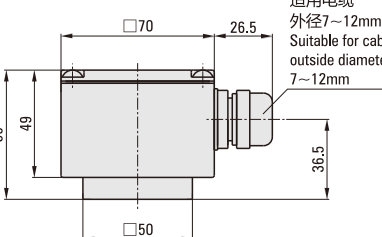
请注意: 对于带电磁制动型电动机, 电磁制动引线从制动器引出。

Note: For an electric motor with an electromagnetic brake, an electromagnetic braking lead is drawn from the brake part.

连接图 CONNECTION DIAGRAM

端子箱 Terminal Box

● 三相 Three-phase

感应系列 Induction Series	刹车系列 Brake Series	接线盒外形尺寸 Junction Box Outline Dimension
 <p>白 White 红 Red 黑 Black 黄绿双色 Yellow green color</p>	 <p>细黄或细蓝、细黑、细棕 Fine yellow or fine blue, Fine black, fine brown</p> <p>白 White 红 Red 黑 Black 黄绿双色 Yellow green color</p>	 <p>适用电缆 外径7~12mm Suitable for cable outside diameter 7~12mm</p>

细黄：AC 220V
细蓝：AC 380V
细黑：AC 220V
细棕：AC 380V

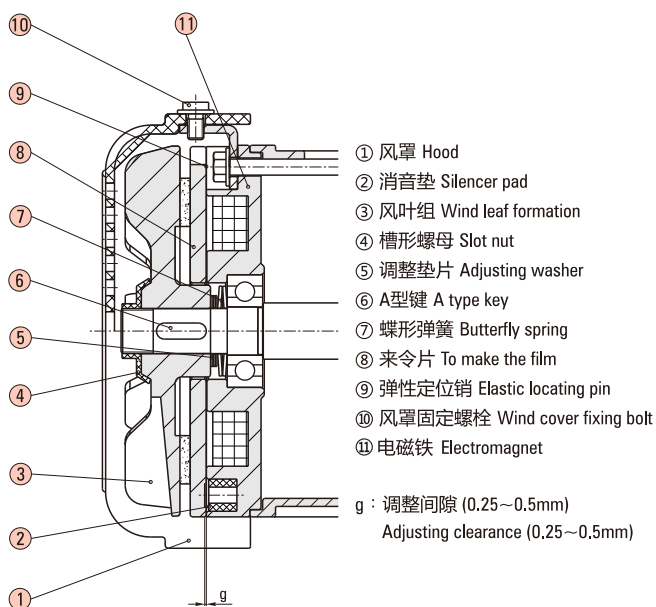
F3
F2

请注意：• 对于带电磁制动型电动机，电磁制动引线从制动部引出。

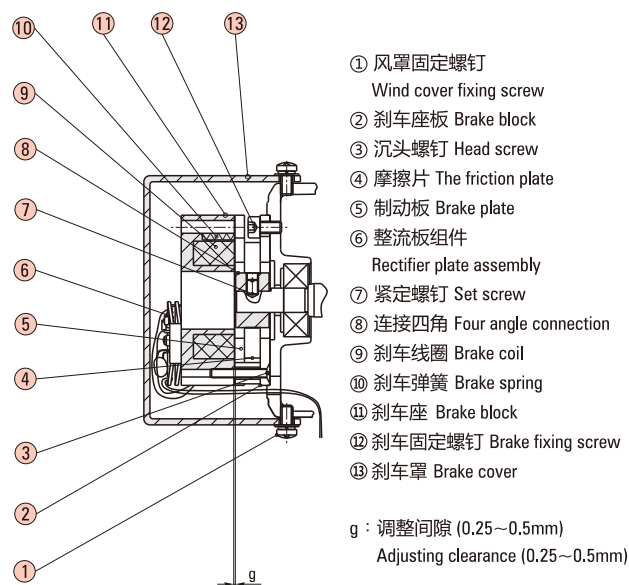
Note: • For an electric motor with an electromagnetic brake, an electromagnetic braking lead is drawn from the brake part.

制动部结构 Brake Part Structure

● F3制动部结构 F3 brake part structure



● F2制动部结构 F2 brake part structure



● 制动部的间隙 Clearance of brake

若长时间使用制动部，间隙会越来越开大，导致制动部失效。请进行定期（大约一年或者间隔使用100~150万次）的间隙调整。

If the long time use of the brake, the gap will be more open, leading to the failure of the brake. Please make a regular (About one year or interval using 100~150 million) of the gap adjustment.

连接图 CONNECTION DIAGRAM

与变频器的组合 Combined With Frequency Converter

● 可以使用频率范围 Frequency range can be used

一般请在5~120Hz范围内使用。

(注：当频率低于30Hz时，电机表面温度会较高。)

· 超过60Hz高速运转时的注意事项

在超过60Hz的高速运转中，振动、噪音将会增加。

另外转速加快会降低油封的使用寿命。

· 低速运转时注意事项

低速运转中，由于电动机的冷却效果低下经常会引起温度的异常上升，请格外注意。

(请将电动机表面温度控制在80°C以下。)

In general, please use the 5~120Hz range.

Note: when the frequency is lower than 30Hz, the surface temperature will be higher

· More attention than the 60Hz high speed operation

Vibration and noise will be increased in the high speed operation of more than 60Hz. In addition, the speed will be accelerated to reduce the life of the oil seal.

· Low speed operation matters needing attention

Low speed operation, due to the cooling effect of the motor is often caused by the abnormal temperature rise, please pay extra attention to.

(Please control the motor surface temperature below 80°C).

● 电动机的转矩力特征（使用限度） Torque characteristics of the motor (Limit)

电动机的转矩力特征（使用限度）根据所使用的变频器的种类及控制方法的不同而产生巨大差异。

Torque characteristics of the motor (Use limit) caused great differences according to the types and controlling methods used by different frequency converter.

● 带电磁制动时 With electromagnetic brake

制动部配线请与变频器（变频器的输入侧供电）并联。

(输出侧电压变动可能会引起制动部的运行不稳定状况。)

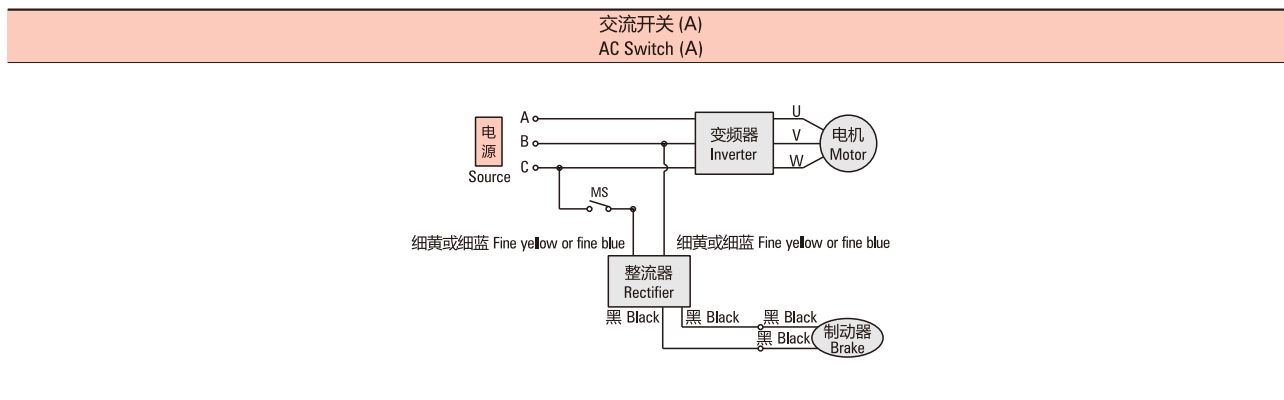
连接图标记如下，请加以参照。

The wiring of the brake unit is in parallel with the input side of the converter (Inverter).

(The output side voltage fluctuation may cause the brake part to run unstable.)

Connection icon in mind as follows, please refer to.

例 Cases:



● 用变频器驱动380V电动机时 When the 380V motor is driven by frequency converter

电动机端子间会发生浪涌电压，可能会导致电动机绝缘性能的劣化。

为防止浪涌电压，一般采用抑制电压增强（输出电抗器）和抑制波高值（输出滤波器）两种方法。

· 输出电抗器

配线较短时，可在变频器的输出侧设置AC电抗器，通过抑制电压的增强从而减弱浪涌电压。

如果配线过长则难以抑制电压的高波值。

· 输出滤波器

在变频器的输出侧设置滤波器，可以抑制电动机端子电压的高波值。

Surge voltage can occur between the motor terminals, which may lead to deterioration of the insulation performance of the motor.

In order to prevent the surge voltage, by suppressing voltage enhancement (output reactor) and suppress the peak value (output filter) two methods.

· Output reactor

Wiring shorter, can be set at the output side of the inverter AC reactor, through the suppression of voltage enhancement to reduce the surge voltage.

If the wiring is too long, it is difficult to suppress the high wave value of voltage.

· Output filter

The filter can be arranged at the output side of the frequency converter, which can restrain the high wave value of the terminal voltage of the motor.

上述仅为一般情况，具体事宜请向变频器厂家咨询。 The above is only the general situation, the specific matters, please consult the inverter manufacturers.

CATALOGUE



PLANETARY GEAR BOX
ZDR/ZDGF(S)系列
高精度行星减速机

ZD 中大刀德



TRANSMISSION PLANETARY
传动行星减速电动机

ZD 中大刀德



DC BRUSHLESS GEAR MOTOR
直流无刷减速电机

ZD 中大刀德



PLANETARY GEAR BOX
ZB/ZE系列
高精度行星减速机

ZD 中大刀德



HYPOID GEAR MOTOR
准双曲面减速电动机

ZD 中大刀德



SMALL AC GEAR MOTOR
小型交流平行轴齿轮减速电机

ZD 中大刀德

ZDF2/ZDF3 HYPOID GEAR MOTOR CATALOGUE

宁波中大力德智能传动股份有限公司
NINGBO ZHONGDA LEADER INTELLIGENT TRANSMISSION CO.,LTD.

地址：浙江省慈溪高新技术产业开发区新兴一路185号
Add: NO.185 1st Xinxing Road, New Industrial Zone, Cixi City, Zhejiang, China.

宁波中大创远精密传动设备有限公司
ZHONGDA CHUANGYUAN PRECISE TRANSMISSION EQUIPMENT CO.,LTD.

地址：浙江省慈溪市杭州湾新区金慈路159号
Add: No.159 Jinci Road, Hangzhou Bay District, Cixi City, Zhejiang, China.

国内贸易服务：

电话：86-574-63537377
传真：86-574-63534879
E-mail: china@zd-motor.com

国际贸易服务：

International trade department:
Tel: 86-574-63530538 Fax: 86-574-63534879
E-mail: manager@zd-motor.com
E-mail: trade@zd-motor.com

更多详情，敬请浏览：
www.zd-motor.com